

A-CAN-DG-V4-2

16 channels analog to CAN converter for 0...5V signals

Ref.: A-CAN-DG-V4-2-###

SN: D# Software version: v#

Texys sensors are designed for data recording. If the user wants to include this sensor in a closed loop system or active control, he must assume all responsibility.

Voltage measurement:

Range	0 to 5.5 V
Accuracy	±1.5 mV
Resolution	0.1 mV
Sampling frequency	250 Hz
Analog filter cut-off frequency	125 Hz
Input impedance	10 kΩ

Internal temperature measurement:

Range	-40°C to +125°C
Accuracy	±0.25°C

CAN output:

CAN bus type	2.0 A or B
CAN baudrate	250kbps to 1Mbps
CAN bus termination resistor	120 Ω (user selectable)
Output Frequency	ANA input data: 1Hz to 250Hz, or on request Internal temperature data: 1Hz

Common:

Input supply voltage	6V to 30 V (see §Supply stage)	
Input supply current at 12V	≤ 30 mA internal ≤ 400mA with max load	
Output supply voltage	5V, 8.5V, 12V or Direct	
Max output supply current	45 mA per connector	
Dimension	22 x 26 x 85 mm	
Material	Aluminum	
Weight	100g	
Protection	IP65	
Vibration test	20Gpp5'	
Shock	500	G
Operating Temp	-40 to +125	°C
Storage Temp	-40 to +125	°C

Ordering ref:

A-CAN-DG-V4-2-Supply

5V
8.5V
12V
Direct

Ex: A-CAN-DG-V4-2-8.5V

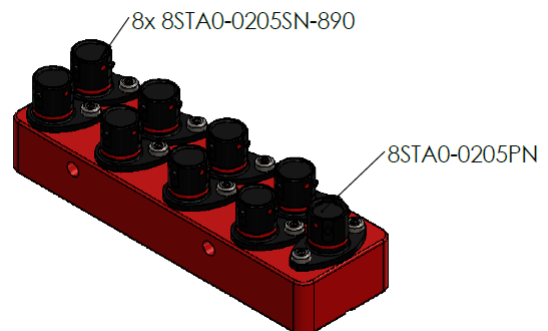
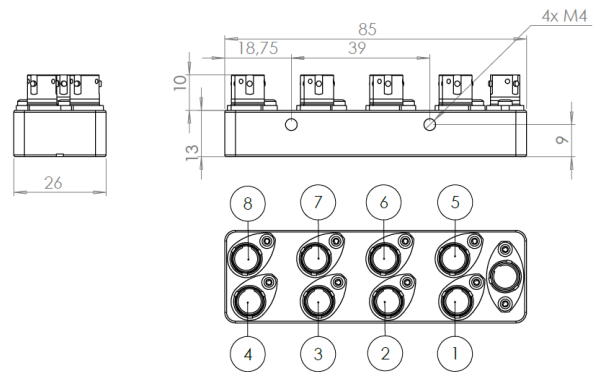
Main Connector: 8STA0-0205PN mating: 8STA6-0205SN

Pin	Function
1	Supply Input
2	0V
3	CAN LOW
4	CAN HIGH
5	ONE WIRE RX/TX

Connector #1 to #8: 8STA0-0205SN mating: 8STA6-0205PN

Pin	Connector			
	#1	#2	#3	#4
1	Supply output			
2	GND			
3	ANA 1	ANA 2	ANA 3	ANA 4
4	ANA 9	ANA 10	ANA 11	ANA 12
5	NC	NC	NC	NC

Pin	Connector			
	#5	#6	#7	#8
1	Supply output			
2	GND			
3	ANA 5	ANA 6	ANA 7	ANA 8
4	ANA 13	ANA 14	ANA 15	ANA 16
5	NC	NC	NC	NC



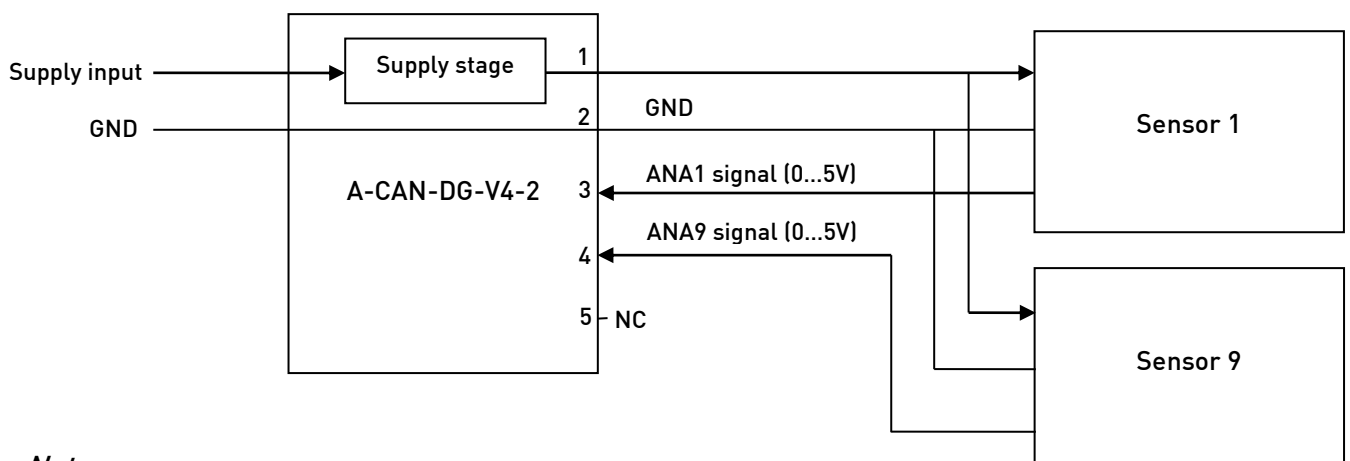
Setup

CAN Data parameters		
CAN type	2.0A 2.0B	-
Baudrate	1M	bps
Frequency	10	Hz
Rx trig frame ID	0x7F0	Hex
Tx01 frame ID	0x3F0	Hex
Tx02 frame ID	0x3F4	Hex
Tx03 frame ID	0x3F8	Hex
Tx04 frame ID	0x3FC	Hex
Tx05 frame ID	0x400	Hex
CAN 120 Ω termination resistor	<input type="checkbox"/> on <input checked="" type="checkbox"/> off	-

Sensor readings

Reference value (V)	Readings (V)							
	Channel 1	Channel 2	Channel 3	Channel 4	Channel 5	Channel 6	Channel 7	Channel 8
0,5	...V	...V	...V	...V	...V	...V	...V	...V
4,5	...V	...V	...V	...V	...V	...V	...V	...V
	Channel 9	Channel 10	Channel 11	Channel 12	Channel 13	Channel 14	Channel 15	Channel 16
0,5	...V	...V	...V	...V	...V	...V	...V	...V
4,5	...V	...V	...V	...V	...V	...V	...V	...V

Wiring for each 8STA6-0205PN connector



Note:

- Sensors have to be compatible with supply voltage and supply current (see §Supply stage).
- All signals must be isolated from any other conductive part with at least 100MΩ under 50V.

Supply stage

When ordering, the user can choose among multiple supply stage configurations:

Ordering code	Output voltage	Input voltage range	Output current
5V	Regulated 5V	7V to 30V	30mA per connector
8.5V	Regulated 8.5V	10.5V to 30V	
12V	Regulated 12V	14V to 30V	
Direct	= Input supply voltage (not regulated)	6V to 30V	45mA per connector

CAN data output

TX Frame #01 (1 to 250Hz output rate)

ID	Byte 0		Byte 1		Byte 2		Byte 3		Byte 4		Byte 5		Byte 6		Byte 7	
	MSB	LSB	MSB	LSB	MSB	LSB	MSB	LSB	MSB	LSB	MSB	LSB	MSB	LSB	MSB	LSB
0x03F0 (default)	Unsigned integer 16bits				Unsigned integer 16bits				Unsigned integer 16bits				Unsigned integer 16bits			
	Channel 1 voltage				Channel 2 voltage				Channel 3 voltage				Channel 4 voltage			
	0.1mV/bit				0.1mV/bit				0.1mV/bit				0.1mV/bit			

TX Frame #02 (1 to 250Hz output rate)

ID	Byte 0		Byte 1		Byte 2		Byte 3		Byte 4		Byte 5		Byte 6		Byte 7	
	MSB	LSB	MSB	LSB	MSB	LSB	MSB	LSB	MSB	LSB	MSB	LSB	MSB	LSB	MSB	LSB
0x03F4 (default)	Unsigned integer 16bits				Unsigned integer 16bits				Unsigned integer 16bits				Unsigned integer 16bits			
	Channel 5 voltage				Channel 6 voltage				Channel 7 voltage				Channel 8 voltage			
	0.1mV/bit				0.1mV/bit				0.1mV/bit				0.1mV/bit			

TX Frame #03 (1 to 250Hz output rate)

ID	Byte 0		Byte 1		Byte 2		Byte 3		Byte 4		Byte 5		Byte 6		Byte 7	
	MSB	LSB	MSB	LSB	MSB	LSB	MSB	LSB	MSB	LSB	MSB	LSB	MSB	LSB	MSB	LSB
0x03F8 (default)	Unsigned integer 16bits				Unsigned integer 16bits				Unsigned integer 16bits				Unsigned integer 16bits			
	Channel 9 voltage				Channel 10 voltage				Channel 11 voltage				Channel 12 voltage			
	0.1mV/bit				0.1mV/bit				0.1mV/bit				0.1mV/bit			

TX Frame #04 (1 to 250Hz output rate)

ID	Byte 0		Byte 1		Byte 2		Byte 3		Byte 4		Byte 5		Byte 6		Byte 7	
	MSB	LSB	MSB	LSB	MSB	LSB	MSB	LSB	MSB	LSB	MSB	LSB	MSB	LSB	MSB	LSB
0x03FC (default)	Unsigned integer 16bits				Unsigned integer 16bits				Unsigned integer 16bits				Unsigned integer 16bits			
	Channel 13 voltage				Channel 14 voltage				Channel 15 voltage				Channel 16 voltage			
	0.1mV/bit				0.1mV/bit				0.1mV/bit				0.1mV/bit			

TX Frame #05 (1Hz output rate)

ID	Byte 0		Byte 1	
	MSB	LSB	MSB	LSB
0x0400 (default)	Signed integer 16bits			
	Internal temperature			
	0.1°C/bit			

Changing parameters

Must be setup according to Texense's CAN protocol, or by using the Texense Android Smart Tool (tAST®) with your android device. Contact us at info@texense.com

CAN parameters:

Address	Parameter	Raw values	values	Comments	
0x00	CAN type A or B (11 or 29bits ID)	0x00	CAN2.0A (standard)	default	
		0x10	CAN2.0B (extended)		
0x01	CAN baudrate	0x00	1Mbps	default	
		0x01	500 Kbps		
		0x02	250 Kbps		
0x02	CAN output frequency	0x00	Rx frame trig	Request mode - 20Hz max.	
		0x01	1 Hz	default	
		0x02	5 Hz		
		0x03	10 Hz		
		0x04	50 Hz		
		0x05	125 Hz		
		0x06	250 Hz		
0x03	Rx trig frame ID	if CAN2.0A: 0 to 0x7F0		MSB	Default 0x07F0
0x04		if CAN2.0B: 0 to 0xFFFF (except 0x7F1 and 0x7F3)		LSB	
0x05	Tx01 frame ID	if CAN2.0A: 0 to 0x7F0		MSB	Default 0x03F0
0x06		if CAN2.0B: 0 to 0xFFFF (except 0x7F1 and 0x7F3)		LSB	
0x07	Tx02 frame ID	if CAN2.0A: 0 to 0x7F0		MSB	Default 0x03F4
0x08		if CAN2.0B: 0 to 0xFFFF (except 0x7F1 and 0x7F3)		LSB	
0x09	Tx03 frame ID	if CAN2.0A: 0 to 0x7F0		MSB	Default 0x03F8
0x0A		if CAN2.0B: 0 to 0xFFFF (except 0x7F1 and 0x7F3)		LSB	
0x0B	Tx04 frame ID	if CAN2.0A: 0 to 0x7F0		MSB	Default 0x03FC
0x0C		if CAN2.0B: 0 to 0xFFFF (except 0x7F1 and 0x7F3)		LSB	
0x0D	Tx05 frame ID	if CAN2.0A: 0 to 0x7F0		MSB	Default 0x0400
0x0E		if CAN2.0B: 0 to 0xFFFF (except 0x7F1 and 0x7F3)		LSB	
0x0F	CAN termination 120Ω resistor	0	Not connected	default	
		1	Connected		

For complete information, contact us at info@texense.com