

Yaw Pitot-T

Yaw Pitot Pressure tube

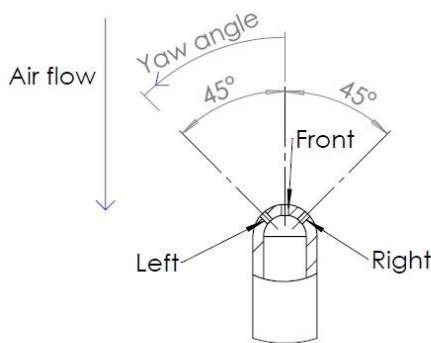
Yaw Pitot-T-###-##

SN: P#####

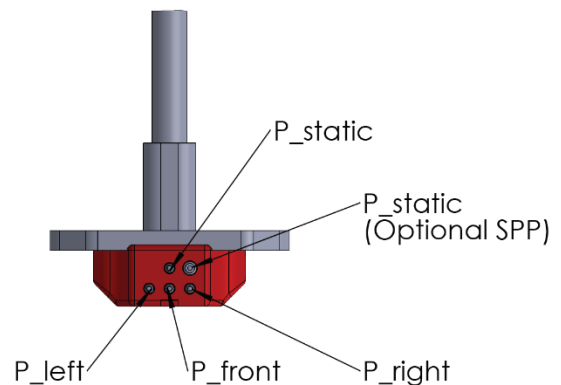
Texense sensors are designed for data logging. Should the users want to include this sensor in a closed loop system, they must undertake total responsibility from doing so.

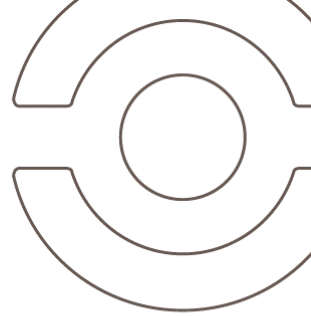
| Common | | | |
|-----------------------|-------------------------------|----|---|
| Dimension | See drawing | | |
| Material | Aluminium and stainless steel | | |
| Weight | 150mm tube | 55 | g |
| | 300mm tube | 78 | |
| Housing Protection | IP64 | | |
| Vibration test | 20Gpp5' | | |
| Shock | 500 | G | |
| Operating Temp | +5 to +85 | °C | |
| Storage Temp | -40 to +125 | °C | |
| Pressure ports | | | |
| Standard ports tube Ø | 1 | mm | |
| Optional SPP tube Ø | 1.6 | mm | |

| | | | |
|-------------|--------------------|----------|--|
| Date | | Operator | |
| Customer | | | |
| Order | | | |
| Product Ref | Yaw Pitot-T-###-## | | |

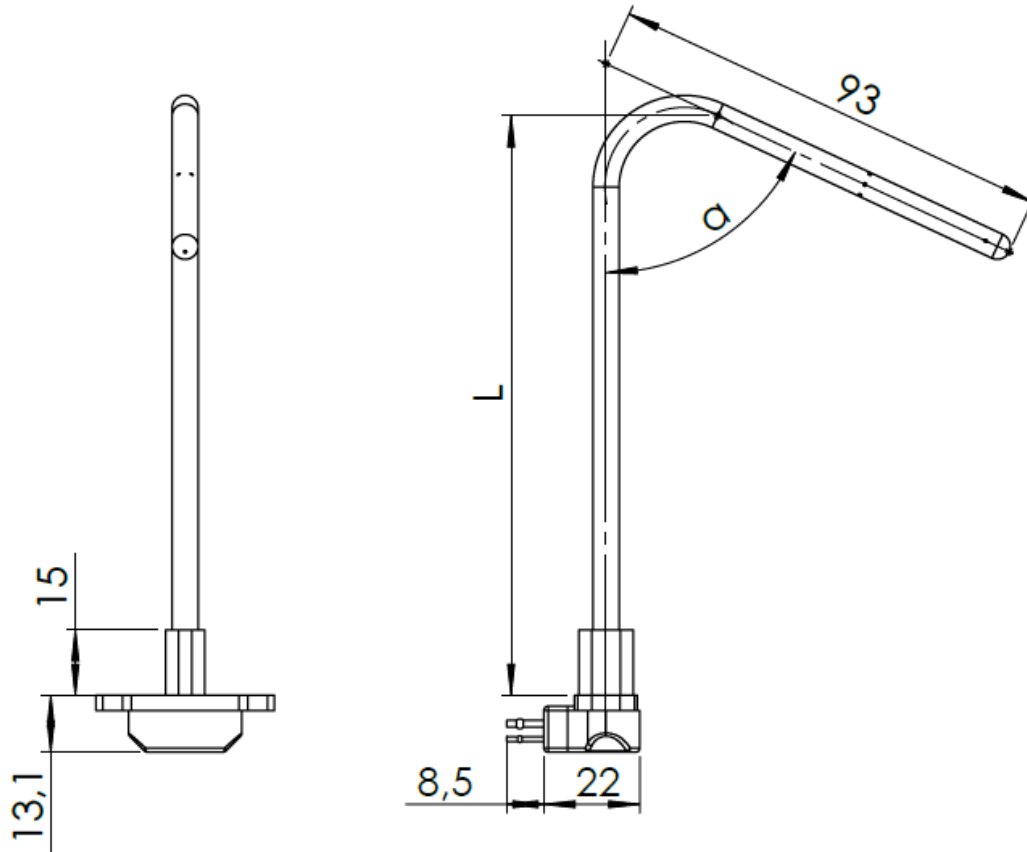


$$\text{Yaw angle} = f((P_{\text{left}} - P_{\text{right}}) / (P_{\text{front}} - P_{\text{static}}))$$



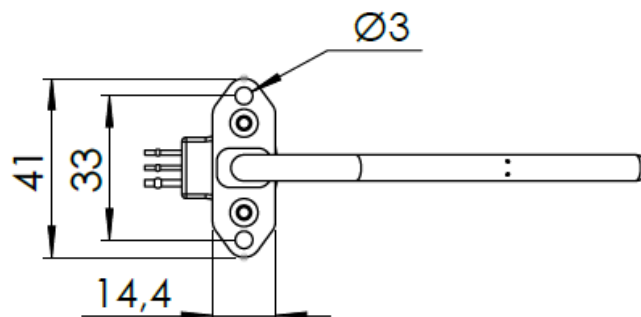


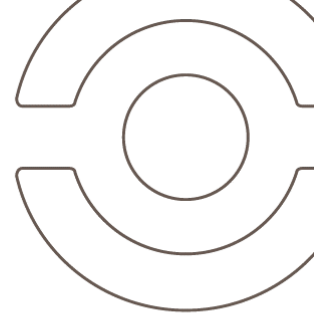
Mechanical drawing



Accuracy:

- Length: $\pm 2\text{mm}$
- Angle: $\pm 1^\circ$





Orientation options



Standard orientation



Inverted orientation
"I" code option

Ordering information

Ordering ref:

Yaw Pitot-T – *Inverted Option* – Length – Angle – SPP(option)

I: Inverted orientation

SPP: Static Pressure Port output

Tube length in mm
standard 150mm or 300mm
custom 40mm to 300mm

Tube angle in °
standard 90°
custom 70° to 180°

ex: Yaw Pitot-T-150-90
Yaw Pitot-T-I-300-80-SPP