

PI-6-TCK-V2

Pitot and temperature sensor

PI-6-TCK-V2-##-###-####

SN: P#####

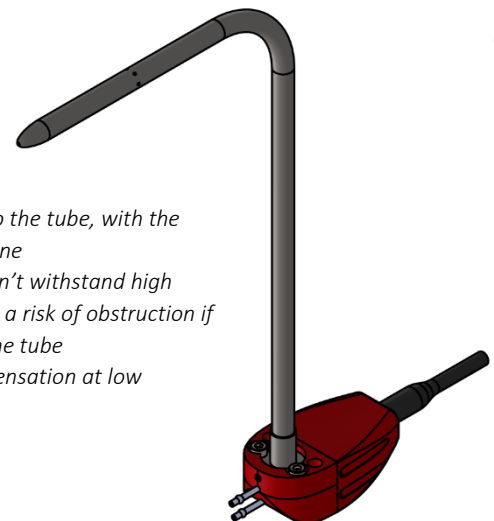
Texense sensors are designed for data logging. Should the users want to include this sensor in a closed loop system, they must undertake total responsibility from doing so.

Pressure measurement		
Range	50 to 76 0.72 to 1.10	mbar PSI
Accuracy	± 1	%FS
Sensitivity drift (0 to 85°C)	± 1	%FS
Gravity sensitivity	0.20	mbar/G
Sampling frequency	100	Hz
Offset	0.5 ± 0.1	V
Offset drift (0 to 85°C)	20	mV
Calibrator	Mensor CPC4000	
Temperature measurement		
Range	-40 to +150	°C
Accuracy	± 0.25	%FS
Cold junction error	± 0.7	°C
Sensitivity	25	mV/°C
Sampling frequency	5	Hz
Calibrator	Fluke 714B or 753	
Electrical features		
Supply voltage	6 to 16	V
Supply current	10	mA
Output voltage	0 to 5	V
Output impedance	100	Ω
Mechanical features		
Dimension	45 x 25 x 16.5	mm
Material	Aluminium and stainless steel	
Weight	130mm tube	90
	300mm tube	114
		g
Environment		
Protection	IP64	
Vibration test	20Gpp5'	
Shock	500	G
Operating temp	-20 to +85	°C
Storage temp	-20 to +125	°C

Date		Operator	
Customer			
Order			
Product Ref	PI-6-TCK-V2-##-###-####		
SW version	V###		

Cable		
5x26 AWG FEP tinned copper braided cable 250V 200°C		
Length: 1000mm ±10%		Tubing: None
Connector: N/A		
Color	Function	Pin
Red	Supply input	-
White	Analog pressure signal	-
Black	0V	-
Green	Analog temperature signal	-
Yellow	Reserved (do not connect and isolate)	-
Braid	Not connected	-

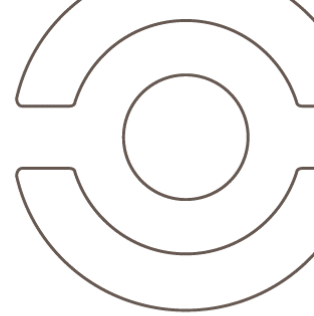
Pressure sensor readings		
Sensitivity	... mbar	... V
... mV/mbar	... mbar	... V
Temperature sensor readings		
	... °C	... V
	... °C	... V



**Do not blow into the tube, with the mouth or an air line*

**The sensor doesn't withstand high humidity, there is a risk of obstruction if water enters in the tube*

**Beware of condensation at low temperature*

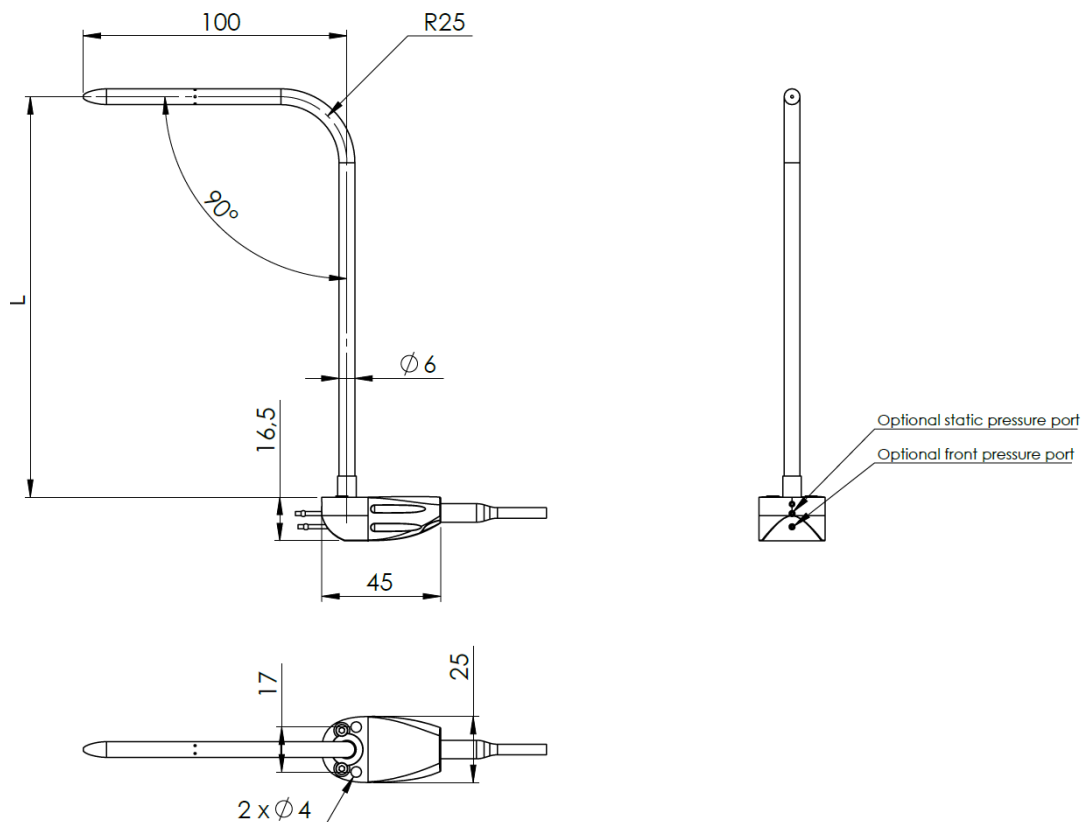


Calibration tables

Temperature	
Target (°C)	Analog temperature output (V)
-40	0.00
0	1.00
50	2.25
100	3.50
150	4.75

Pressure			
Range & Sensitivity	50 mbar 80mV/mbar	70 mbar 57.14 mV/mbar	76mbar 52.63 mV/mbar
0 mbar	0.5 V	0.5 V	0.5 V
50 mbar	4.5 V	2.8 V	2.6 V
70 mbar		4.5 V	3.7 V
76 mbar			4.5 V

Mechanical drawing



Ordering information

Ordering ref:

PI-6-TCK-V2-Range-L-Option

50: 50 mbar
70: 70 mbar
76: 76 mbar

SPP: Optional static pressure port
SPP2: Optional static and front pressure ports

130: 130mm
160: 160mm
300: 300mm

Ex: PI-6-TCK-V2-70-160