



PI-6-TCK	CYAN
	TXCY190425-1
PITOT AND TEMPERATURE SENSOR	
Ref:PI-6-TCK-76-300-SPP	
SN:P19040100	Software version :1.00

Texys sensors are designed for data recording. If the user wants to include this sensor in a close loop system or active control, he must assume all responsibility.

Temperature :		
Range	-40 to +150	°C
Accuracy	± 0.25	% FS
Cold junction error	± 0.7	°C
Sensitivity	25mV	mV/°C
Sampling frequency	5	Hz
Calibrator	FLUKE 753	
Pressure :		
Range	50 to 76 0.72 to 1.10	mbar PSI
Accuracy	±1	% FS
Gravity sensitivity	0.20	mbar/G
Sampling frequency	100	Hz
Offset	0.5 +/- 0.1	V
Sensitivity	See calibration table	V/FS
Offset drift (0 to 85°C)	20	mV
Sensitivity drift (0 to 85°C)	±1	%FS
Calibrator	Mensor CPC4000	
Common :		
Supply Voltage	6 to 16V	V
Supply Current	10	mA
Output Voltage	0 to 5	V
Output Impedance	100	Ω
Dimension	45.5 x 25 x 16.5	mm
Material	Aluminum	
Weight (without cable)	65	g
Box protection	IP64	
Vibration test	20Gpp5'	
Shock	500	G
Operating Temp	-20 to +85	°C
Storage Temp	-20 to +125	°C

Sensor Readings	
1.000 V at 0.0 °C temperature prob	
4.750 V at 150 °C temperature prob	
0.500 V at 0 mbar	52.63 mV/mbar
4.500 V at 76 mbar	

Cable: 5x26AWG FEP tinned copper braided (250V 200°C)

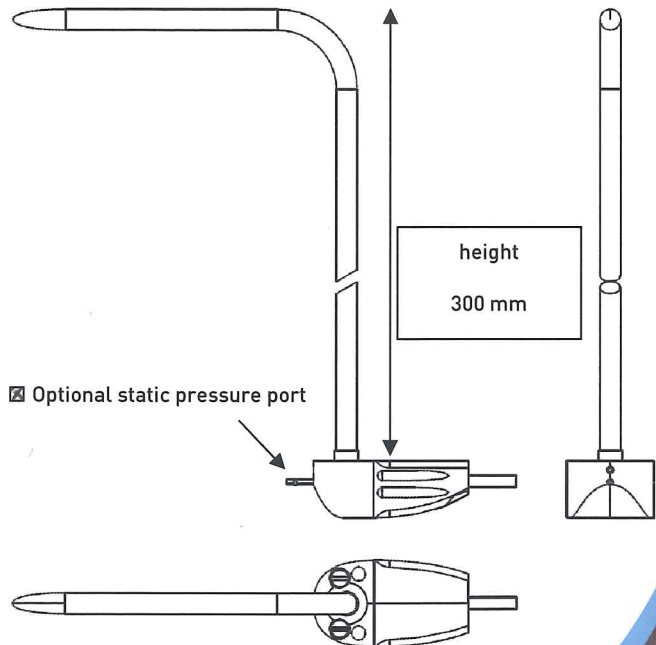
Length: 1000 mm Tubing:

Connector:

Colour	Function	Pin
Red	Supply	
Black	0V	
White	Analog Pressure Signal	
Green	Analog Temperature Signal	
Yellow	Reserved (do not connect and isolate)	
Braid	Not connected	

Calibration table temperature		
Target °C	Analogue temp output	
-40	0.00	V
0	1.00	
50	2.25	
100	3.50	
150	4.75	

Calibration table pressure			
50 mbar 0.725 Psi	0.5V @ 0mbar	4.5V @ 50mbar	80.00 mV/mbar
70 mbar 1.01 Psi	0.5V @ 0mbar	4.5V @ 70mbar	57.14 mV/mbar
76 mbar 1.10 Psi	0.5V @ 0mbar	4.5V @ 76mbar	52.63 mV/mbar



Ordering ref:
PI-6-TCK - Range mbar - height mm* - SPP

50
70
76

Optional static pressure port

*Option: PI-6 tube up to 300 mm (std 130mm)

