

# PI-6

## Pitot pressure sensor

PI-6-##-###

SN: P#####

Texense sensors are designed for data logging. Should the users want to include this sensor in a closed loop system, they must undertake total responsibility from doing so.

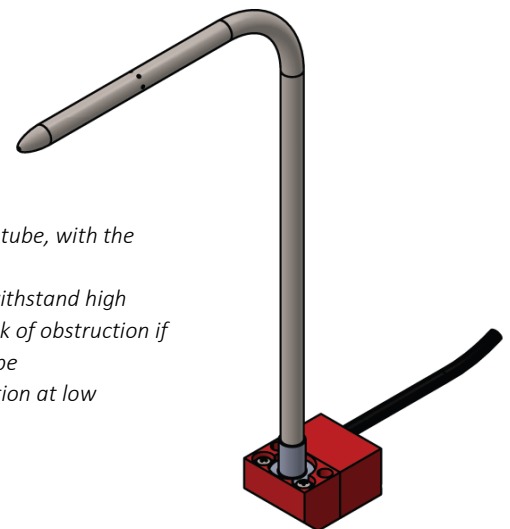
Pressure measurement		
Range	50 to 76	mbar
	0.72 to 1.10	psi
Accuracy	1	%
Sensitivity	50mBar	80 mV/mbar
	70mBar	57 mV/mbar
	76mBar	53 mV/mbar
Sensitivity drift (0 to 80°C)	1	%FS
Gravity sensitivity	1	mV/G
Cut-off frequency	200	Hz
Offset	0.5 ± 0.1	V
Offset drift (0 to 80°C)	20	mV
Electrical features		
Supply voltage	6 to 16	V
Supply current	5	mA
Output voltage	0 to 5	V
Output impedance	47	Ω
Calibrator	Mensor CPC 4000	
Mechanical features		
Dimensions	28 x 22 x 14.5	mm
Material	Aluminium and stainless steel	
Weight	55	g
Environment		
Protection	IP64	
Vibration test	20 Gpp 5'	
Shock	500	G
Operating temp	0 to 85	°C
Storage temp	-20 to 125	°C

Date		Operator	
Customer			
Order			
Product Ref	PI-6-##-###		

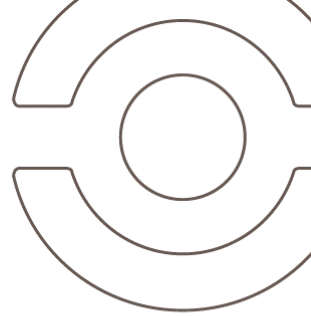
Cable		
3x26 AWG FEP tinned copper braided cable 250V 200°C		
Length: 1000mm ±10%		Tubing: None
Connector: N/A		
Color	Function	Pin
Red	Supply input	-
White	Signal	-
Black	0V	-
Braid	Connected to case	-

Sensor readings		
Sensitivity	... mbar	... V
... mV/mbar	... mbar	... V

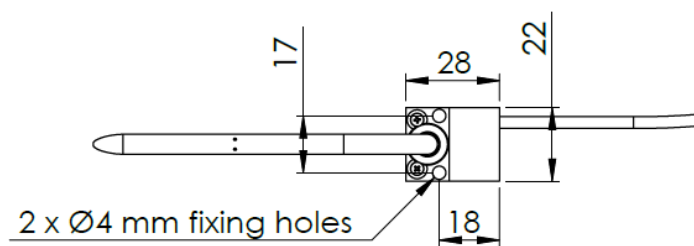
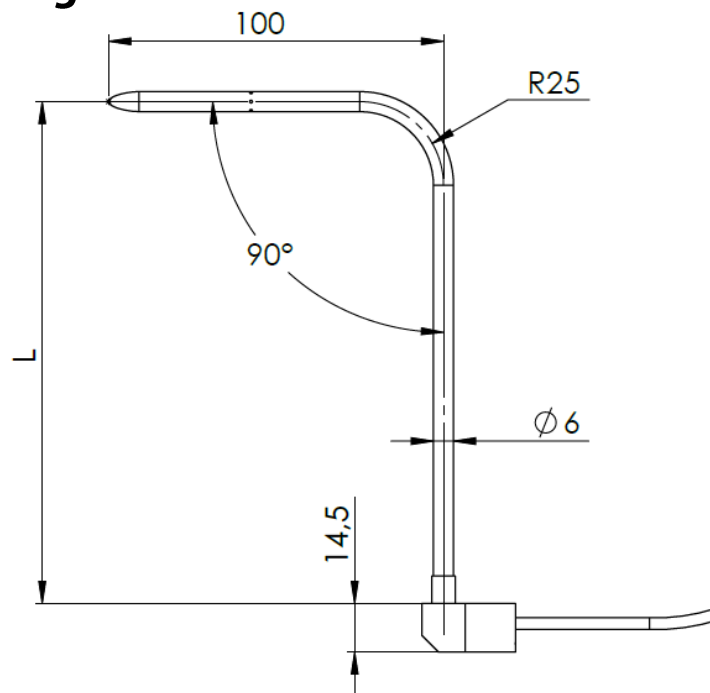
Maximum airspeed at 25°C and 1000mbar atmospheric pressure		
50 mbar	70 mbar	76 mbar
333 km/h	394 km/h	410 km/h



- \*Do not blow into the tube, with the mouth or an air line
- \*The sensor doesn't withstand high humidity, there is a risk of obstruction if water enters in the tube
- \*Beware of condensation at low temperature



## Mechanical drawing



## Ordering information

**Ordering ref:**

PI-6-Range-L	
12,5	110mm
25	120mm
50	130mm
70	
76	

Ex: PI-6-76-130