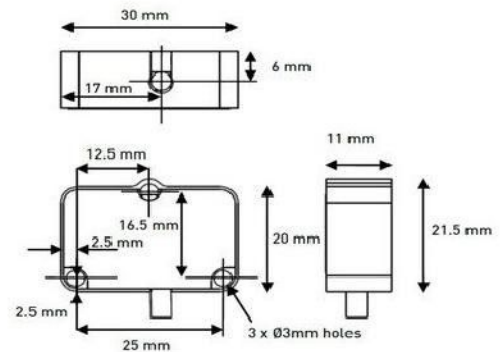
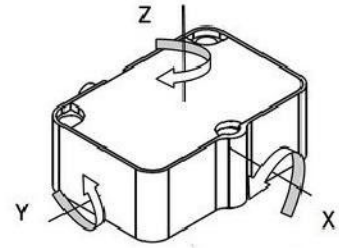


# GYRN3 - S

## 3 axis gyroscope

<b>Range</b>	$\pm 50, \pm 100, \pm 150$ °/s
<b>Accuracy</b>	2 % FS
<b>Sensitivity</b>	40, 20, 13.3 mV/°/s
<b>Cut off frequency</b>	40Hz
<b>Supply voltage</b>	5 to 16 V
<b>Supply current</b>	16 mA
<b>Output impedance</b>	47 $\Omega$
<b>Linear analog output</b>	0 to 5 V
<b>Output signal at 0°/sec</b>	2.5 V
<b>Error at 0°/sec</b>	$\pm 1$ °/s
<b>Cross axis sensitivity</b>	3 %
<b>Offset drift (20 to 80°C)</b>	$\pm 0.5$ °/s
<b>Offset drift (20 to 100°C)</b>	$\pm 0.8$ °/s
<b>Gain drift (20 to 80°C)</b>	$\pm 0.3$ %
<b>Gain drift (20 to 100°C)</b>	$\pm 1$ %
<b>Aluminium housing</b>	30x21.5x11 mm
<b>Weight</b>	30 g
<b>Protection</b>	IP66
<b>Vibration test</b>	20 Gpp 5'
<b>Shock</b>	1000 G
<b>Operating temp</b>	-20 to +105°C
<b>Storage temp</b>	-40 to +125°C



°/s	$\pm 50$ °/s 40mV/°/s	$\pm 100$ °/s 20mV/°/s	$\pm 150$ °/s 13,3mV/°/s
-150			0.5
-100		0.5	1,17
-50	0.5	1.5	1,83
0	2.5	2.5	2.5
+50	4.5	3.5	3.17
+100		4.5	3,83
+150			4.5

Out of Range

Ordering ref ex: GYRN3-S-XA-YB-ZC

GYRN3-S-XRange-YRange-ZRange

Range			
A	B	C	N
50°/s	100°/s	150°/s	Not wired

1 m cable of 6X26AWG FEP  
tinned copper braided cable 250V 200°C

<b>Red</b>	Supply
<b>Black</b>	0 V
<b>White</b>	Signal X
<b>Green</b>	Signal Y
<b>Yellow</b>	Signal Z
<b>Blue</b>	Diag (not to be connected)
<b>Braid</b>	Connected to case

In the interest of continuous product improvement, we reserve the right to alter without prior notice the specifications and features described in this document.