



PT-BC

Brake caliper temperature sensor

Range From -50 to +300°C
 Accuracy Class A for PT100
 Class B for PT1000

Response time (0-90%) into boiling water 10 s

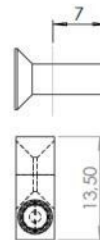
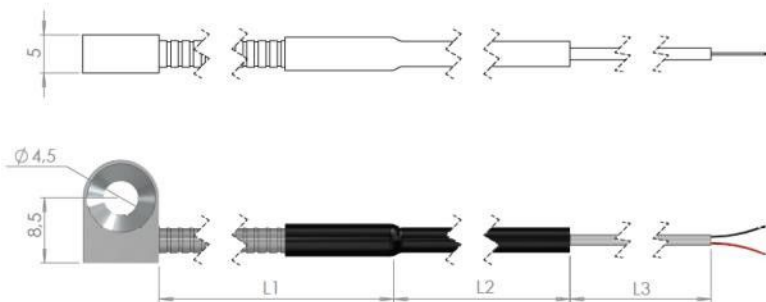
Resistance See table Ω
 Sensitive Element Standard PT100 or PT1000

Dimension See drawing
 Material Aluminium / stainless steel
 Weight (without cable) 5 g
 Protection IP66
 Vibration Test 20 Gpp 5'
 Shock 500 G
 Operating Temp Sensor -50 to +300°C
 Storage Temp -50 to +200°C

Stainless steel 316L protection length L1 in mm
 Tubing: RW200 (200°C max) length L2 in mm
 Cable: 2x26AWG PFA length L3 in mm
 L1+L2+L3 ≤ 1000mm

Colour	Function	Pin
Red	PT	
Black	PT	

Calibration tables		
°C	PT100 Ω	PT1000 Ω
-50	82.25	822.5
-40	84.21	842.1
-20	92.13	921.3
0	100.00	1000.0
20	107.79	1077.9
40	115.54	1155.4
60	123.24	1232.4
80	130.89	1308.9
100	138.50	1385.0
120	146.06	1460.6
140	153.57	1535.7
160	161.04	1610.4
180	168.47	1684.7
200	175.84	1758.4
220	183.17	1831.7
240	190.46	1904.6
260	197.69	1968.8
280	204.88	2048.8
300	212.02	2120.2



Ordering :
 PT-BC-Range-L1-L2-L3
 Range: 100 or 1000 Ohm
 L1-L2-L3 : length in mm
 EX : PT-BC-100-200-300-500