



ASMPB SERIES STANDARD METRI-PACK PRESSURE TRANSDUCER

The ASMPB Series of Standard Pressure Transducers have been designed for the detection of fluid and air pressures in demanding motorsport and automotive applications; ideal for high precision data acquisition or control systems.

These transducers can also be installed directly onto vehicles, or as part of a test stand or dyno. Offering a high level of reliability and endurance, the ASMPB Series is protected against the high vibration, shock and high temperatures found in motorsport. With a modular construction and a programmable amplifier, this provides a large stock available of standard parts for fast delivery.

Pressure ranges are available with either 2 or 5 Bar with Absolute reference. Industry standard Metri-Pack electrical connections allow configuration with most common ECU's and data logging systems. The ASMPB Series is race proven in many formula around the world, offering a cost effective solution for professional engineers.

TECHNICAL SPECIFICATIONS

Pressure Reference	Absolute
Standard Pressure Ranges (Bar)	2 or 5
Proof Pressure (Over range)	150% of Range
Burst Pressure	>300% of Range
Accuracy	±0.5% FS Combined Linearity & Hysteresis (CNLH)
Thermal Accuracy	Zero ±0.04% FS/°C (Sensitivity ±0.04% of Reading /°C)
Output	0.5V to 4.5V (±0.5%)
Supply	5V - 40V d.c. (Less than 20mA consumption)
Operating Temperature Range	-20°C to +135°C
Compensated Temperature Range	0°C to +125°C
Construction	Black Anodised Aluminium, FEP with Viton internal O-ring
Electrical Connection	Metri-Pack (Packard) 3-Pin 150 Series Connector
Process Connection (Thread Size)	Barb to Suit 4mm ID Tube
Protection Class	IP67
EMC Protection & Vibration	EN E50082-1 and Mil-Std-810C, Curve L, 20G
Weight	34g

KA Sensors adopts a continuous development program which sometimes necessitates specification changes without notice.

Sensors For Motorsport

Features

- Barbed Hose Fitting
- 2 or 5 Bar Range
- Rugged Construction
- Lightweight
- Amplified Output
- ±0.5% Accuracy

Applications

- Low Pressure
- Barometric
- Boost
- MAP

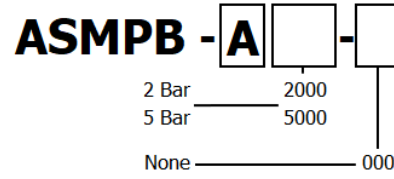
kasensors.com
 sales@kasensors.com
 +44(0)1476 568057

ASMPB 05.21

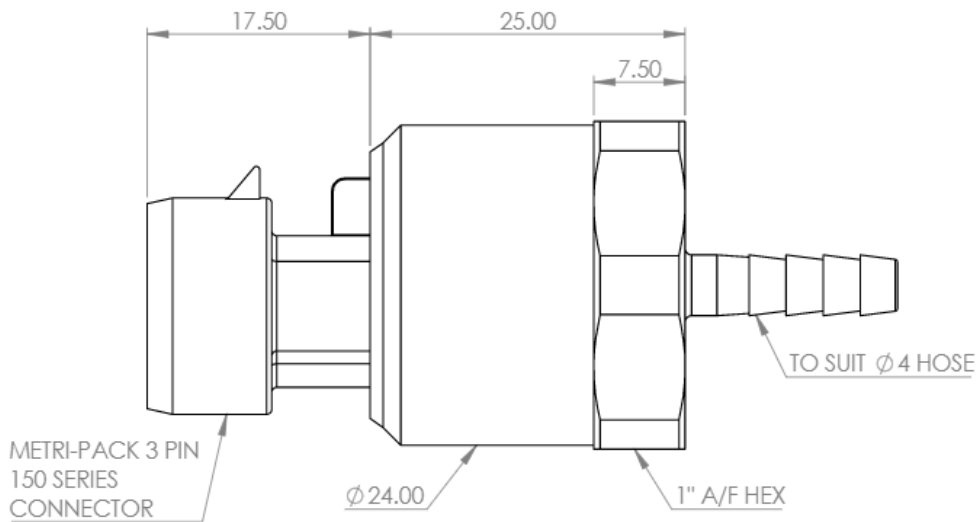
PART NUMBER CONFIGURATOR

Pressure Range

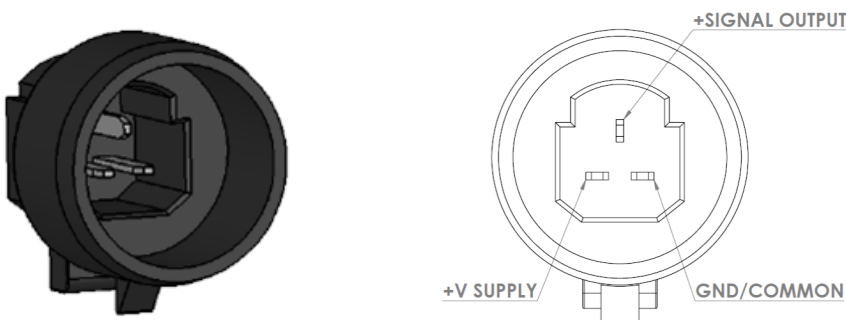
Special Code



MECHANICAL DETAILS



CONNECTION DETAILS



*Sense
Analyse
Control*

Services for:

- Data Logging
- Telemetry
- Controls
- Wiring

Contact us

KA Sensors Ltd
Unit 14 & 15
The Old Malthouse
Springfield Road
Grantham
Lincolnshire
United Kingdom
NG31 7BG

kasensors.com
sales@kasensors.com
+44(0)1476 568057

ASMPB 05.21