



ASM SERIES MINIATURE HIGH TEMPERATURE PRESSURE TRANSDUCER (LOW RANGE)

The ASM Series of High Performance Pressure Transducers have been designed for High Temperature installations in motorsport and automotive applications; ideal for high precision data acquisition or control systems. These transducers can also be installed directly onto vehicles, as part of a test stand or dyno.

Offering a high level of reliability and endurance the ASM is protected against the high vibration, shock and high temperatures found in motorsport. Continuous operation up to 150°C allows for installations in hot zones. With a modular construction and programmable amplifier, this provides a fast delivery time for standard and custom configurations. Pressure ranges are available between 2 to 35 Bar in either Absolute or Sealed Gauge reference.

Industry standard 3-wire electrical connections allow configuration with most common ECU's and data logging systems.

The ASM Series are race proven in many formula around the world.

TECHNICAL SPECIFICATIONS

Pressure Reference	Absolute and Sealed Gauge
Standard Pressure Ranges (Bar)	2, 5, 10, 15, 20, 35
Proof Pressure (Overrange)	300% of Range
Burst Pressure	>1000% of Range
Accuracy	±0.08% FS Combined Linearity & Hysteresis (CNLH)
Thermal Accuracy	TEB for Compensated Range <±0.25% FS
Output	0.5V to 4.5V (±0.5%)
Supply	5V (±0.5V) Ratiometric or 8-16Vdc
Operating Temperature Range	-20°C to +150°C
Compensated Temperature Range	0°C to +125°C
Bandwidth	0-1000Hz, 5000Hz (Selectable at time of Order)
Construction	Stainless Steel
Electrical Connection	50cm 26AWG, 55Spec Wire + DR25 Sleeve
Process Connection (Thread Size)	Please see Part Number Configurator
Protection Class	IP67
EMC Protection & Vibration	EN E50082-1 and Mil-Std-810C, Curve L, 20G
Weight	38g (Including Cable)
Options	Cable Spec, Connector Fitted, Thread Size & Labelling

Ka Sensors adopts a continuous development program which sometimes necessitates specification changes without notice.

Sensors For Motorsport

Features

- High Temperature
- Miniature Size
- 2 to 35 Bar Range
- Rugged Construction
- Amplified Output
- ±0.08% Accuracy

Applications

- Coolant
- Brakes
- Water
- Boost
- Fuel
- Oil

kasensors.com
sales@kasensors.com
+44(0)1476 568057

ASM LOW 10.18

PART NUMBER CONFIGURATOR

Pressure Reference

Pressure Range

Supply Voltage

Accuracy (CNLH)

Accuracy (Thermal Shift)

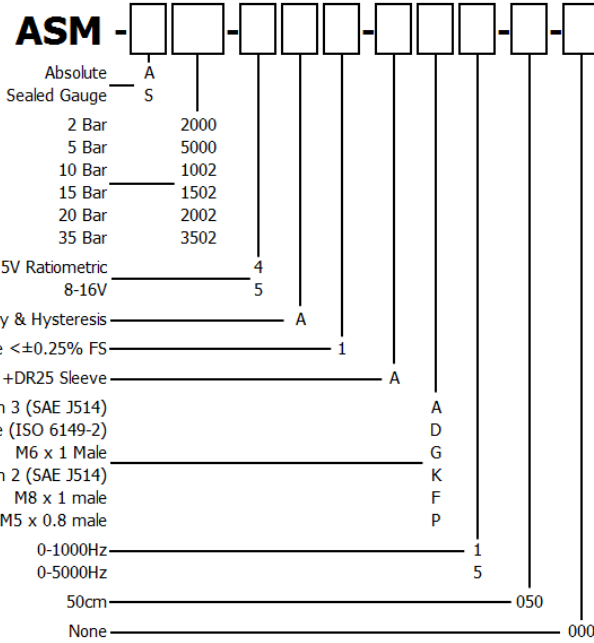
Electrical Connection

Process Connection

Bandwidth

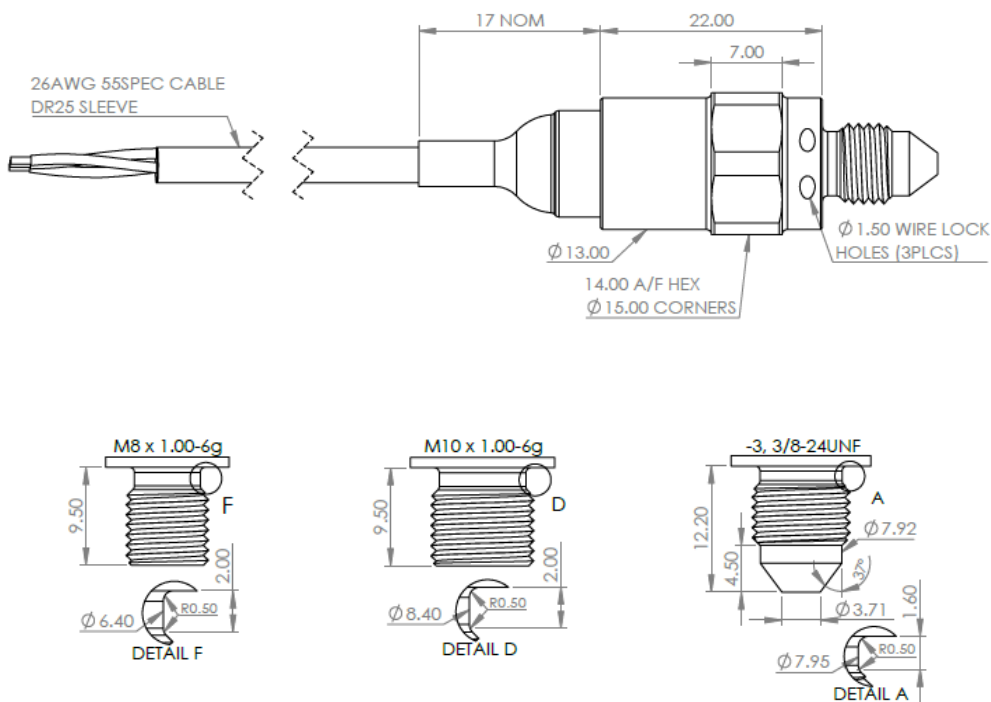
Cable Length

Special Code



The KA configuration tool is used to specify a standard KA Sensor, other options are available.

MECHANICAL DETAILS



CONNECTION DETAILS

+Ve Supply	0V Supply	Signal
Red	Black	White

Sense
Analyse
Control

Services for:

- Data Logging
- Telemetry
- Controls
- Wiring

Contact us

KA Sensors Ltd
Unit 14 & 15
The Old Malthouse
Springfield Road
Grantham
Lincolnshire
United Kingdom
NG31 7BG

kasensors.com
sales@kasensors.com
+44(0)1476 568057

ASM LOW 10.18