

## ASHT SERIES HIGH PERFORMANCE PRESSURE & TEMPERATURE TRANSDUCER

The ASHT Series feature both Pressure and Temperature Sensors within a single transducer package. These High Accuracy Transducers have been designed for use in demanding motorsport and automotive testing industries; ideal for high precision data acquisition or control systems. These transducers can also be installed directly onto vehicles, as part of a test stand or dyno.

Offering a high level of reliability and endurance the ASHT is protected against the high vibration, shock and high temperatures found in motorsport. With a modular construction and programmable amplifier, this provides a fast delivery time for standard and custom configurations. Continuous operation up to 150°C allows for installations in hot zones.

Pressure ranges are available between 5 to 200 Bar in either Absolute, Gauge or Sealed Gauge reference. The industry standard 3-wire electrical connections for the Pressure and 2-wire for the Temperature allow configuration with most common ECU's and data logging systems. Also available with a fitted Hermetic Connector option.

The ASHT Series are race proven in many formula around the world.

### TECHNICAL SPECIFICATIONS

<b>Pressure Reference</b>	Absolute, Gauge and Sealed Gauge
<b>Standard Pressure Ranges (Bar)</b>	5, 10, 20, 50, 100, 200
<b>Proof Pressure (Over range)</b>	150% of Range
<b>Burst Pressure</b>	>300% of Range
<b>Accuracy</b>	±0.2% FS Combined Linearity & Hysteresis (CNLH)
<b>Thermal Accuracy</b>	Zero ±0.01% FS/°C (Sensitivity ±0.01% of Reading /°C)
<b>Outputs</b>	Press: 0.5V to 4.5V (±0.5%) Temp: NTC, 2-Wire 10KΩ@25°C or 2-Wire PT1000
<b>Supply</b>	5V (±0.5V) Ratiometric or 8-16Vdc
<b>Operating Temperature Range</b>	-20°C to +150°C
<b>Compensated Temperature Range</b>	0°C to +125°C
<b>Construction</b>	Stainless Steel
<b>Electrical Connection</b>	50cm 26AWG, 55Spec Wire + DR25 Sleeve or Connector
<b>Process Connection (Thread Size)</b>	Please see Part Number Configurator
<b>Protection Class</b>	IP67
<b>EMC Protection &amp; Vibration</b>	EN E50082-1 and Mil-Std-810C, Curve L, 20G
<b>Weight</b>	54g (Including Cable)
<b>Options</b>	Cable Spec, Connector Fitted, Thread Size & Labelling

Ka Sensors adopts a continuous development program which sometimes necessitates specification changes without notice.

## Sensors For Motorsport

### Features

- Built-In Temp. Sensor
- Rugged Construction
- 5 to 200 Bar Range
- 150°C Operation
- Amplified Output
- ±0.2% Accuracy

### Applications

- Coolant
- Brakes
- Water
- Boost
- Fuel
- Oil

kasensors.com

sales@kasensors.com

+44(0)1476 568057

ASHT 10.18

# PART NUMBER CONFIGURATOR

Pressure Reference

Pressure Range

Supply Voltage

Accuracy (CNLH)

Accuracy (Thermal Shift)

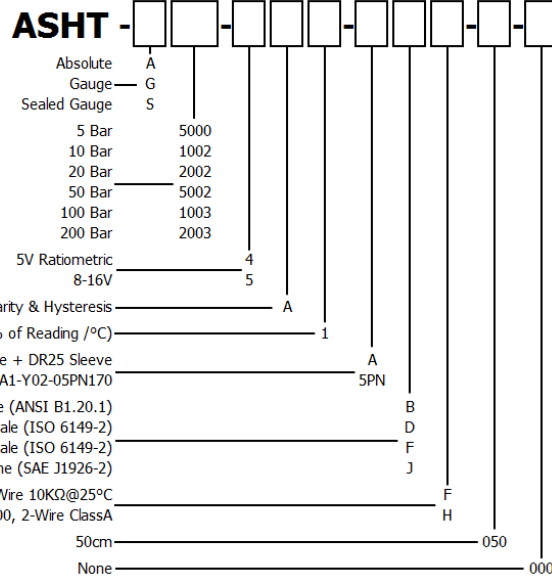
Electrical Connection

Process Connection

Temperature Sensor Type

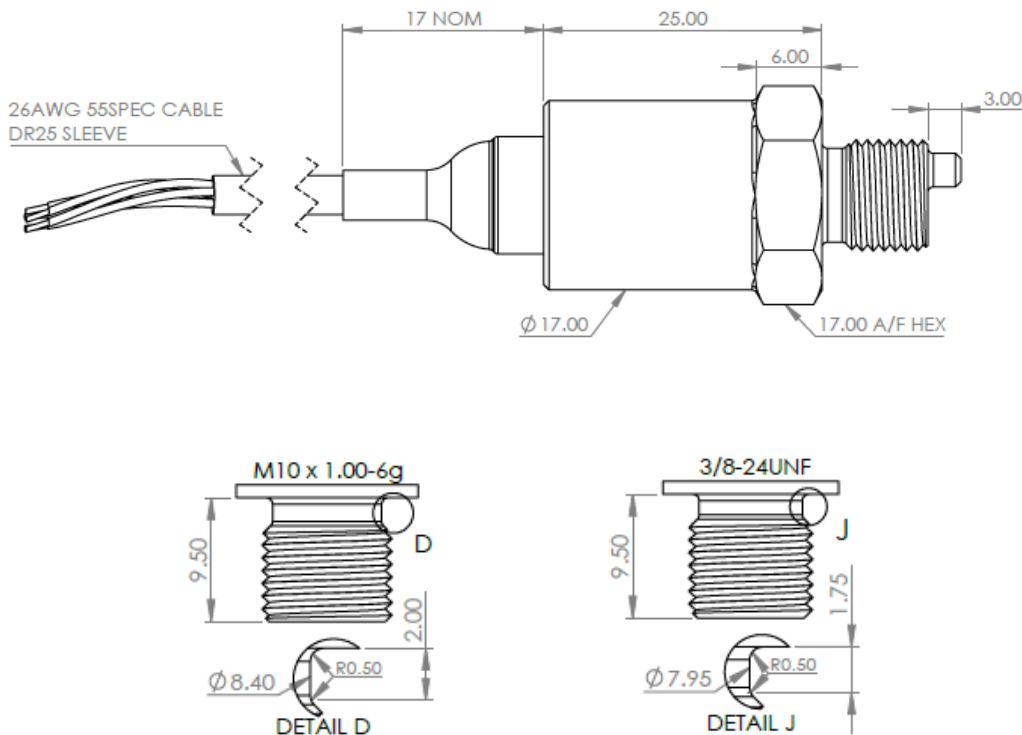
Cable Length

Special Codes



The KA configuration tool is used to specify a standard KA Sensor, other options are available.

## MECHANICAL DETAILS



## CONNECTION DETAILS

+Ve Supply	0V Supply	Output (P)	Output (T)	Output (T)
Red	Black	White	Blue	Green

*Sense  
Analyse  
Control*

Services for:

- Data Logging
- Telemetry
- Controls
- Wiring

Contact us

KA Sensors Ltd  
Unit 14 & 15  
The Old Malthouse  
Springfield Road  
Grantham  
Lincolnshire  
United Kingdom  
NG31 7BG

kasensors.com  
sales@kasensors.com  
+44(0)1476 568057

ASHT 10.18