



ASH SERIES HIGH PERFORMANCE PRESSURE TRANSDUCER

The ASH Series of High Performance Pressure Transducers have been designed for high temperature installations in motorsport and automotive applications; ideal for high precision data acquisition or control systems. These transducers can be installed directly onto vehicles, or as part of a test stand or dyno.

Offering a high level of reliability and endurance the ASH is protected against the high vibration, shock and high temperatures found in motorsport. Continuous operation up to 150°C allows for installations in hot zones. With a modular construction and programmable amplifier, this provides a fast delivery time for standard and custom configurations.

Pressure ranges are available between 1.2 to 400 Bar in either Absolute or Sealed Gauge reference. Industry standard 3-wire electrical connections for the Pressure signal allow configuration with most common ECU's and data logging systems. The ASH Series is race proven in many formulae around the world, offering a cost effective solution for professional engineers.

TECHNICAL SPECIFICATIONS

Pressure Reference	Absolute or Sealed Gauge
Standard Pressure Ranges (Bar)	Low Range: 1.2, 4 & 10 High Range: 50, 100, 200 & 400
Proof Pressure (Over range)	300% of Range / 150% of Range
Burst Pressure	>1000% of Range / >300% of Range
Accuracy	±0.08% FS Combined Linearity & Hysteresis (CNLH) ±0.2% FS Combined Linearity & Hysteresis (CNLH)
Thermal Accuracy	<±0.25% FS TEB within Compensated Range Zero ±0.01% FS/°C (Sensitivity ±0.01% of Reading /°C)
Output	0.5V to 4.5V (±0.25%)
Supply	5V (±0.5V) Ratiometric or 8-16V d.c.
Operating Temperature Range	-40°C to +150°C
Compensated Temperature Range	0°C to +125°C
Bandwidth	0-1000Hz, 2000Hz or 5000Hz (Select at time of Order)
Construction	Fully Welded Stainless Steel (with a Viton internal O-ring)
Electrical Connection	100cm 26AWG, 55 Spec Wire + DR25 Sleeve
Process Connection (Thread Size)	Please see Part Number Configurator
Protection Class	IP67. Dust tight & water immersion to 1m for 30mins
EMC Protection & Vibration	EN E50082-1 and up to 5KHz Sine at 100g
Weight	54g (Including Cable)

KA Sensors adopts a continuous development program which sometimes necessitates specification changes without notice.

Sensors For Motorsport

Features

- High Fatigue Life
- High Accuracy
- 1.2 to 400 Bar Range
- Rugged Design
- Amplified Output

Applications

- Coolant
- Brakes
- Water
- Boost
- Fuel
- Oil

kasensors.com

sales@kasensors.com

ASH 08.22

PART NUMBER CONFIGURATOR

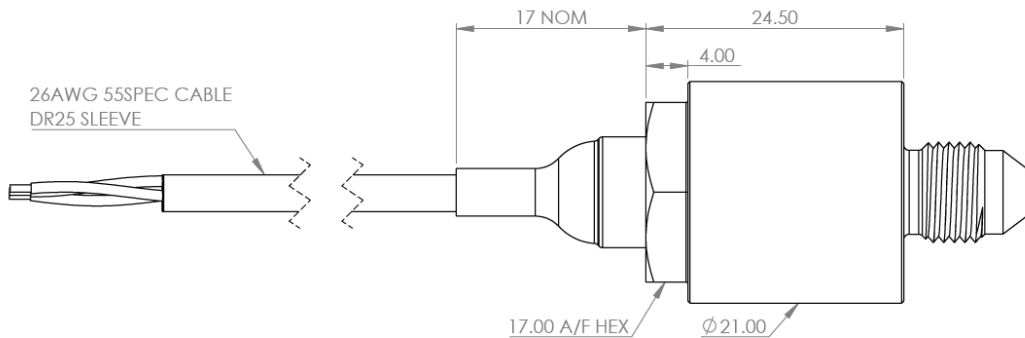
	ASH -	<input type="checkbox"/>	<input type="checkbox"/>	<input type="checkbox"/>	<input type="checkbox"/>	<input type="checkbox"/>	<input type="checkbox"/>	<input type="checkbox"/>
Pressure Reference	Absolute Sealed Gauge	A	S					
Pressure Range	1.2 Bar	1200						
	4 Bar	4000						
	10 Bar	1002						
	50 Bar	5002						
	100 Bar	1003						
	200 Bar	2003						
	400 Bar	4003						
Supply Voltage	5V Ratiometric			4				
	8-16V			5				
Process Connection	3/8 Inch 24 UNF Dash 3 (SAE J514)					A		
	M10 x 1 Male (ISO 6149-2)					D		
	M8 x 1 Male (ISO 6149-2)					F		
	5/16 Inch 24 UNF - No Cone (SAE J514)					I		
	3/8 Inch 24 UNF - No Cone (SAE J1926-2)					J		
	5/16 Inch 24 UNF Dash 2 (SAE J514)					K		
	7/16 Inch 20 UNF Dash 4 (SAE J514)					L		
	7/16 Inch 20 UNF - No Cone (SAE J1926-2)					T		
Bandwidth	0 - 1000Hz						1	
	0 - 2000Hz						2	
	0 - 5000Hz						5	
O-Ring Material (Internal)	Viton (Only 10 Bar & Below)						V	
	None						0	
Special Code	None							000

Sense
Analyse
Control

Services for:

- Data Logging
- Telemetry
- Controls
- Wiring

MECHANICAL DETAILS



CONNECTION DETAILS

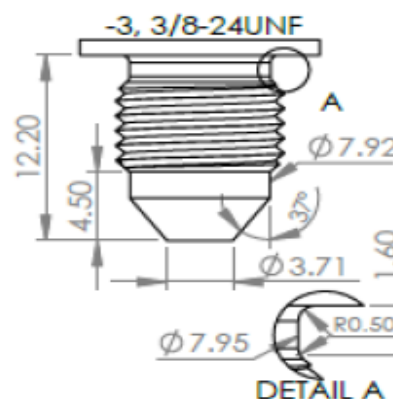
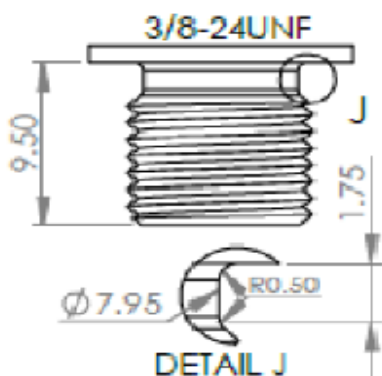
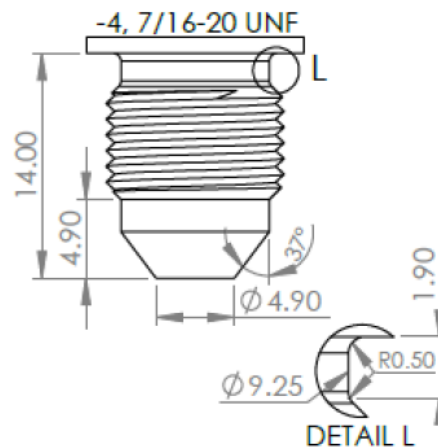
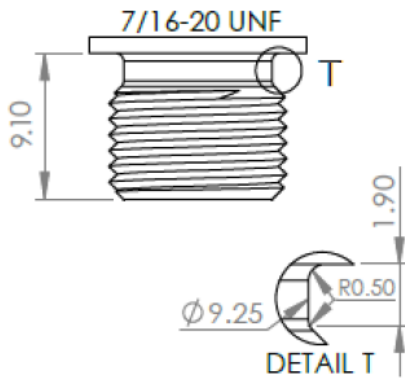
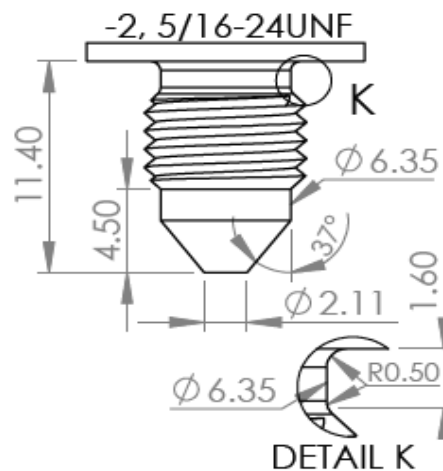
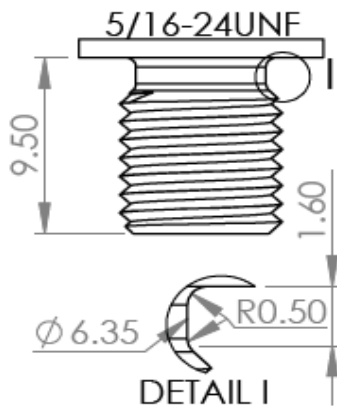
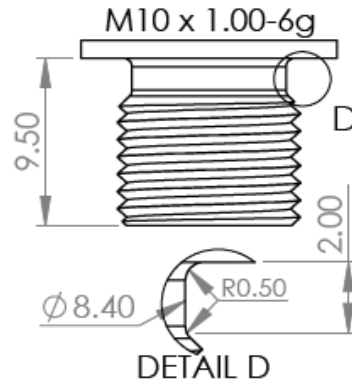
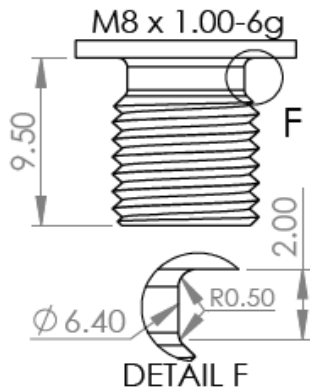
+Ve Supply	0V Supply	Signal
Red	Black	White

kasensors.com

sales@kasensors.com

ASH 08.22

PROCESS CONNECTIONS



*Sense
Analyse
Control*

Services for:

- Data Logging
- Telemetry
- Controls
- Wiring

Contact us

KA Sensors Ltd
Unit 13, Priest Court
Springfield Business Park
Grantham
United Kingdom
NG31 7FZ

kasensors.com
sales@kasensors.com

ASH 08.22