

## ASH SERIES HIGH PERFORMANCE PRESSURE TRANSDUCER

The ASH Series of High Performance Pressure Transducers have been designed for extreme endurance and high temperature installations in motorsport and automotive applications; ideal for high precision data acquisition or control systems. These transducers can be installed directly onto vehicles, as part of a test stand or dyno.

Offering a high level of reliability and endurance the ASH is protected against the high vibration, shock and high temperatures found in motorsport.

With a modular construction and programmable amplifier provide a fast delivery for standard and custom configurations. Continuous operation up to 150°C allows for installation in hot zones.

Pressure ranges are available between 20 to 400 Bar in either Absolute, Gauge or Sealed Gauge reference. Industry standard 3-wire electrical connections allow configuration with most common ECU's and data logging systems.

### TECHNICAL SPECIFICATIONS

<b>Pressure Reference</b>	Absolute, Gauge and Sealed Gauge
<b>Standard Pressure Ranges (Bar)</b>	20, 35, 50, 100, 120, 200 and 400
<b>Proof Pressure (Over range)</b>	150% of Range
<b>Burst Pressure</b>	>300% of Range
<b>Accuracy</b>	±0.2% FS Combined Linearity & Hysteresis (CNLH)
<b>Thermal Accuracy</b>	Zero ±0.01% FS/°C (Sensitivity ±0.01% of Reading /°C)
<b>Output</b>	0.5V to 4.5V (±0.25%)
<b>Supply</b>	5V (±0.5V) Ratiometric or 8-16Vdc
<b>Operating Temperature Range</b>	-40°C to +150°C
<b>Compensated Temperature Range</b>	0°C to +125°C
<b>Bandwidth</b>	0-1000Hz, 5000Hz (Selectable at time of Order)
<b>Construction</b>	Stainless Steel, Viton
<b>Electrical Connection</b>	50cm 26AWG, 55Spec Wire +DR25 Sleeve
<b>Process Connection (Thread Size)</b>	Please see Part Number Configurator
<b>Protection Class</b>	IP67
<b>EMC Protection &amp; Vibration</b>	EN E50082-1 and up to 5KHz Sine at 100g
<b>Weight</b>	54g (Including Cable)
<b>Options</b>	Cable Spec, Connector Fitted, Thread Size & Labelling

KA Sensors adopts a continuous development program which sometimes necessitates specification changes without notice.

## Sensors For Motorsport

### Features

- High Fatigue Life
- High Accuracy
- 20 to 400 Bar Range
- Rugged Design
- Amplified Output
- ±0.2% Accuracy

### Applications

- Coolant
- Brakes
- Water
- Boost
- Fuel
- Oil

kasensors.com  
sales@kasensors.com  
+44(0)1476 568057

ASH 10.18

# PART NUMBER CONFIGURATOR

Pressure Reference

Pressure Range

Supply Voltage

Accuracy (CNLH)

Accuracy (Thermal Shift)

Electrical Connection

Process Connection

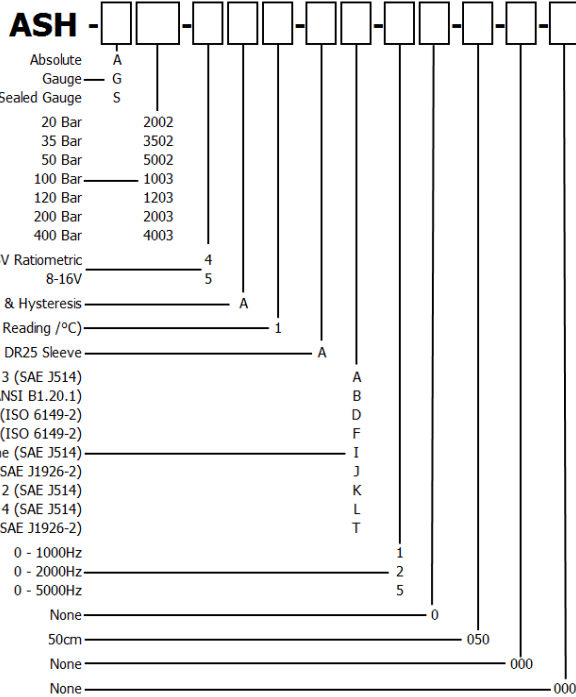
Bandwidth

O-Ring Material (Internal)

Cable Length

Special Code 1

Special Code 2



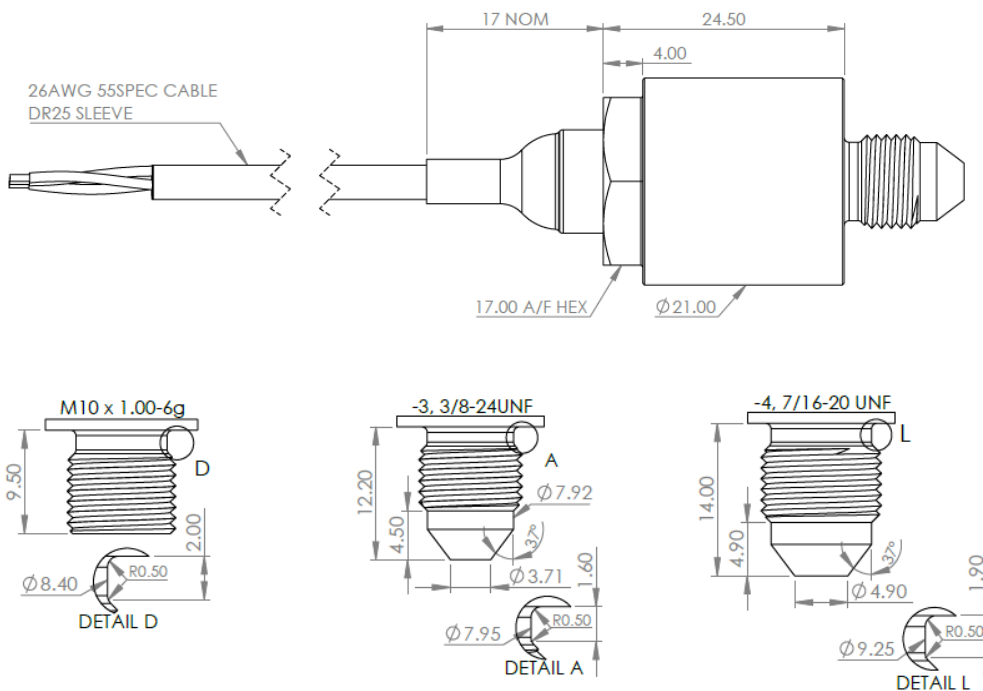
The KA configuration tool is used to specify a standard KA Sensor, other options are available.

Sense  
Analyse  
Control

Services for:

- Data Logging
- Telemetry
- Controls
- Wiring

## MECHANICAL DETAILS



## CONNECTION DETAILS

+Ve Supply	0V Supply	Signal
Red	Black	White

kasensors.com

sales@kasensors.com

+44(0)1476 568057

ASH 10.18