



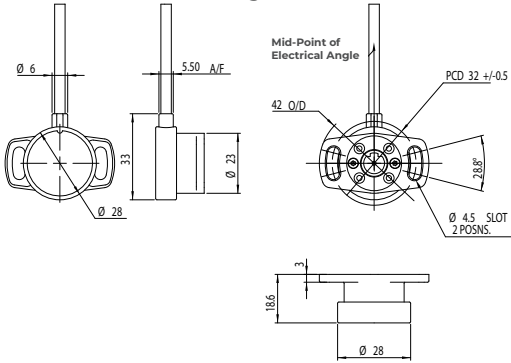
Based on the well proven 28 mm diameter Euro-XP angle sensor, the D-shaft option is available with a choice of 32 or 38 mm PCD mounting. With programmable angle selection and redundant output

this compact and contactless Hall Effect sensor features IP68 sealing and will suit arduous high-duty cycle position feedback applications in all areas of motorsports.

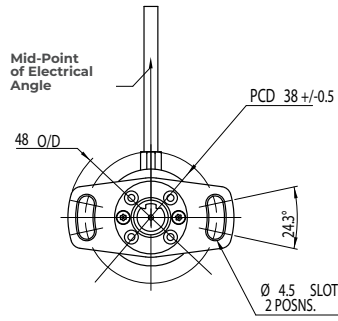
Specifications	
Mechanical	
Typical Life Cycle	>50 million movements (restriction by mechanics)
Torque	< 0.1 Ncm
Measuring range	360° redundant, signal 1 cw, signal 2 ccw
Housing	High grade temperature resistant plastic
D-Shaft	Nylon 66
Tightening torque	Maximum recommended tightening Torque 2Nm
Mounting	Customer to ensure correct suitability and fitment of mounting bolts
Environmental	
Operating temperature	-40° C to +125° C (Short term 150° C)
Vibration	20...2000 Hz; Amax = 0.75 mm; amax = 31.4 g to IEC 60068-2-6
IP rating	IP68 (minimum)
Electrical	
Supply Voltage	5V +/- 0.5V
Output signal	Ratiometric 5%...95% of supply (+/-25mv of specified electrical output range for both start & end voltage) PWM frequency 100Hz... 1000Hz, 1000Hz default, duty cycle between 5%-95%
Independant linearity	+/- 0.5% of each signal range
Isolation resistance	200 MΩ (500 VDC, 1 bar, 2s)
Electrical connection	See ordering code/wiring diagram
Cable type	Raychem Spec 55, 24 AWG; Sleeving - Raychem DR25



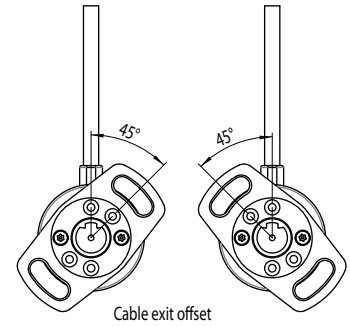
**Euro XPD
32 mm mounting +/- 0,5 mm**



**Euro XPD
38 mm mounting +/- 0,5 mm**

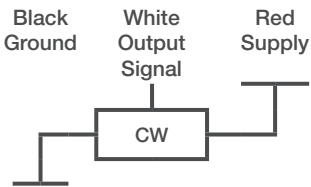


**Cable exit offset
45° CW, =, 45° CCW
see ordering information**

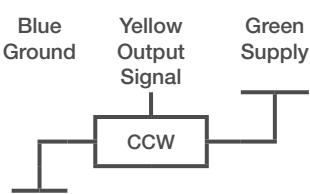


Wiring

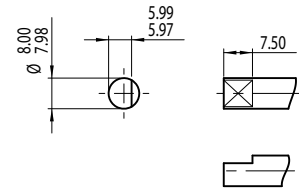
SIGNAL 1 CW



SIGNAL 2 CCW



**Euro XPD
Mating 8 mm D-Shaft detail**

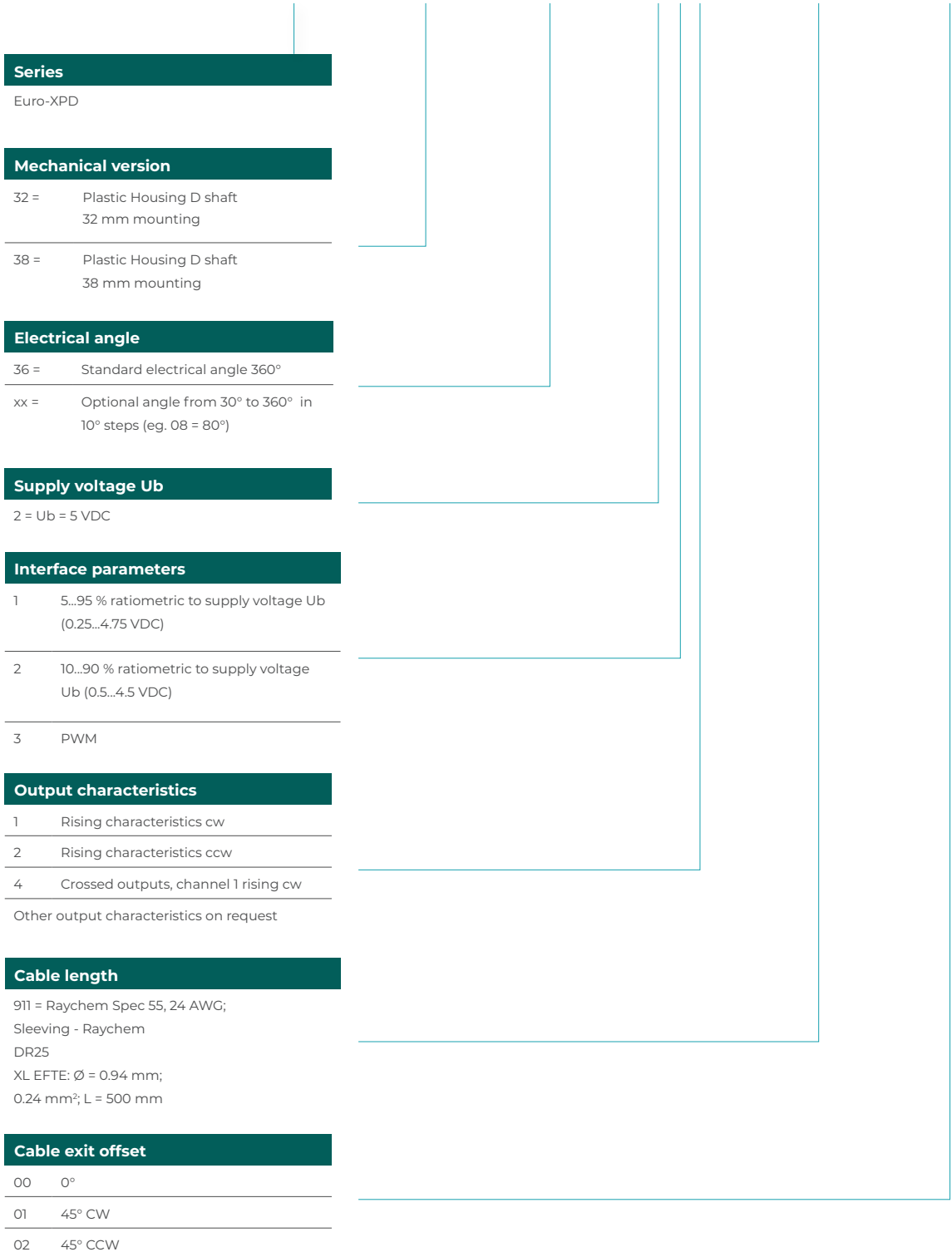




Ordering information

(Please use the characters in the chart below to construct your product code)

Sample code Euro-XPD - 28xx - 8xx - 2 1 4 - 911 - 00



Custom options available on request

The following sensor models are typically available from stock:

93873 Euro-XPD-2832-836-214-911-00
93659 Euro-XPD-2838-836-214-911-00

95252 Euro-XPD-2832-806-214-911-00
95150 Euro-XPD-2838-806-214-911-00

94329 Euro-XPD-2832-812-214-911-00
95297 Euro-XPD-2838-812-214-911-00