

THA-K

Thermocouple connector conditioner K type 0...5V output

Texense sensors are designed for data logging. Should the users want to include this sensor in a closed loop system, they must undertake total responsibility from doing so.

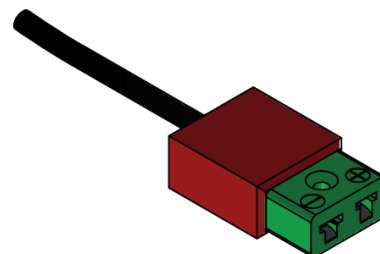
Measurement features			
Range	-50°C...+200°C -100°C...+400°C 0°C...+1000°C 0°C...+1250°C	°C	
Type	K		
Cold junction error	1	°C	
Accuracy	Range < 1000°C	0.5	%FS
	Range ≥ 1000°C	1	
Drift vs. Ambient Temperature	0.5	%FS	
Sensitivity	Linear See calibration table	mV/°C	
Bandwidth (@-3dB)	DC to 10 Hz		
Optional bandwidths on request (@-3dB)	DC to 50Hz DC to 5kHz DC to 10kHz DC to 50kHz		
Calibrator	Fluke 714B or 753		
Electrical features			
Supply Voltage	12V version	6 to 16	V
	5V version	5 ⁽¹⁾	
Supply Current	2.5		mA
Output Voltage	0-5		V
Output Impedance	<5		Ω
Mechanical features			
Dimension	33.4x18.7x10		mm
Material	Aluminum		
Weight	15	g	
Environment			
Protection	IP53		
Vibration test	20Gpp5'		
Shock	500	G	
Operating Temp	0 to +100		°C
Storage Temp	-40 to +125		°C

(1) Accuracy guaranteed only with [4.990V; 5.500V] supply voltage.

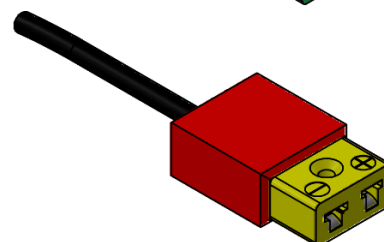
Cable	
3x26 AWG FEP tinned copper braided cable 250V 200°C	
Length: 1000mm	Tubing: /
Connector: Customer	
Color	Function
Red	Supply input
Black	0V
White	Signal
Braid	Connected to case

The Thermocouple probe wires must be isolated from supply ground

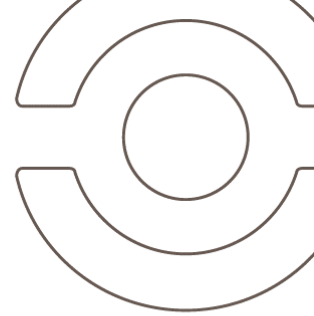
Temperature (°C)	Output (V)			
	-50...+200 20mV/°C	-100...+400 10mV/°C	0...+1000°C 5mV/°C	0...+1250°C 4mV/°C
-100		0.000		
-50	0.000	0.500		
0	1.000	1.000	0.000	0.000
50	2.000	1.500	0.250	0.200
100	3.000	2.000	0.500	0.400
150	4.000	2.500	0.750	0.600
200	5.000	3.000	1.000	0.800
300		4.000	1.500	1.200
400		5.000	2.000	1.600
600			3.000	2.400
800			4.000	3.200
1000			5.000	4.000
1250				5.000



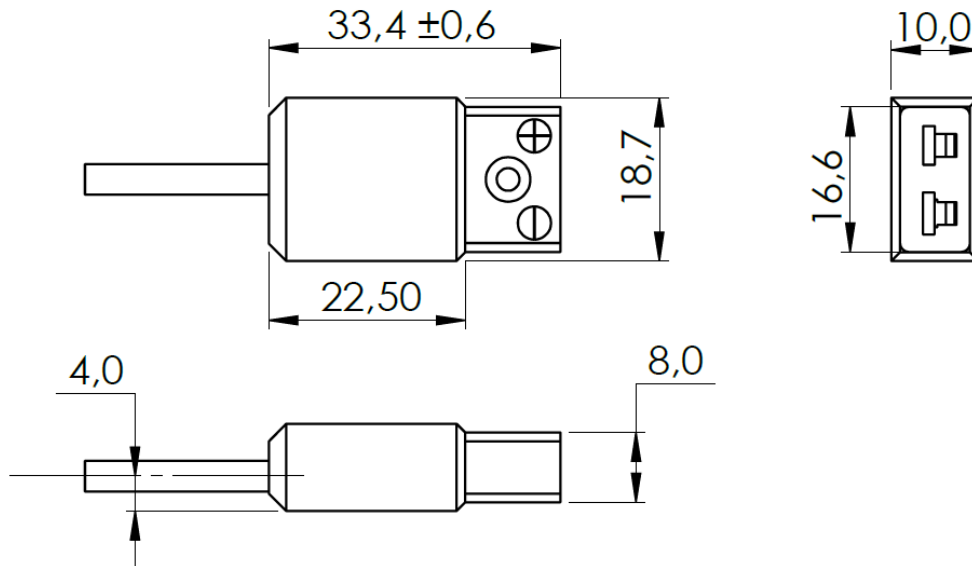
IEC standard
Green connector



ANSI standard
Yellow connector



Mechanical drawing



Ordering information

Ordering ref:

THA- Type - Range - Supply - Output - Color Standard - Frequency

K: K type

200: -50°C...+200°C
400: -100°C...+400°C
1000: 0°C...+1000°C
1250: 0°C...+1250°C

5: 5V supply
12: 6V to 16V supply

5: Output 0...5V

10: 10Hz (Default)
50: 50Hz
5k: 5kHz
10k: 10kHz
50k: 50kHz

IEC: Green connector
ANSI: Yellow connector

ex: THA-K-400-12-5-IEC-10