



# texense

world pro by TEXYS

## AC-CAP3

CYAN

TXCY181218-1

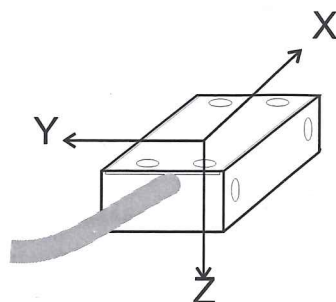
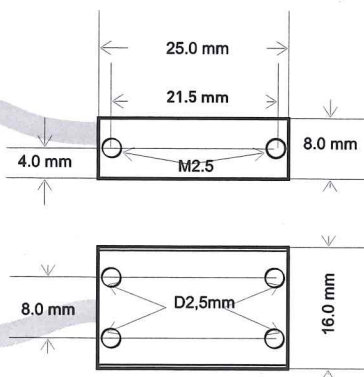
### 3 AXIS CAPACITIVE ACCELEROMETER

Ref: AC-CAP3-20

SN : A18120360

Texys sensors are designed for data recording. If the user wants to include this sensor in a close loop system or active control, he must assume all responsibility.

Range	$\pm 5, \pm 10, \pm 15, \pm 20$	G
Accuracy	1	%
Sensitivity	400 to 100 $\pm 2\%$	mV/G
Standard cut off frequency 2 <sup>nd</sup> order	100	Hz
Cut off frequency 2 <sup>nd</sup> order max (on demand)	XY	1000
	Z	500
Supply Voltage	5 to 16	V
Supply Current	< 3	mA
Output Voltage	0 - 5	V
Output Impedance	68	$\Omega$
Calibrator	LDS V406	
Signal at 0G	$2.5 \pm 0.05$	V
Resonance	5000	Hz
Cross axis sensitivity typ	3	%
Offset Drift (20 to 80°C)	$\pm 30$	mV
Gain Drift (20 to 80°C)	$\pm 2,5$	%
Dim	25x16x8	mm
Material	Aluminium	
Weight	15	g
Protection	IP66	
Vibration test	20Gpp 5'	
Shock	1000	G
Operating Temp	-20 to +100	°C
Storage Temp	-40 to +125	°C



AC-CAP3 3axis spec V04

#### Sensor Readings

	X	Y	Z
Signal (V) @ -1G	2.414	2.411	2.442
Signal (V) @ 0G	2.518	2.510	2.542
Signal (V) @ +1G	2.616	2.608	2.644
Sensitivity (mV/G)	101	98.5	101
Cut off frequency (Hz) at -6 dB	108	105	100
Cross Axis (%)	1.98	2.03	2.47

Cable : 5x26AWG FEP Tinned copper braided cable 250V 200°C

Length : 1000 mm Tubing: \_\_\_\_\_

Connector : \_\_\_\_\_

Colour	Function	Pin
Red	Supply	
Black	0V	
White	Signal X	
Green	Signal Y	
Yellow	Signal Z	
Braid	Not connected	

#### Calibration table

	5G 400 mV/G	10G 200 mV/G	15G 133mV/G	20G 100mV/G
-20				0.5
-15			0.5	1.0
-10		0.5	1,17	1.5
-5	0.5	1.5	1,83	2.0
0	2.5	2.5	2.5	2.5
+5	4.5	3.5	3,17	3.0
+10		4.5	3,83	3.5
+15			4.5	4.0
+20				4.5

Ordering ref ex: AC-CAP3-5

AC-CAP3-Range

Range			
$\pm 5G$	$\pm 10G$	$\pm 15G$	$\pm 20G$

**Texys**

8425 Woodfield Crossing

Boulevard Suite 570

Indianapolis IN 46240

☎ (+1) 317-469-4828

16 Rue Edouard Branly

Varenes Vauzelles F58640

☎ (+33) 386-212-718