

AC-CAP2

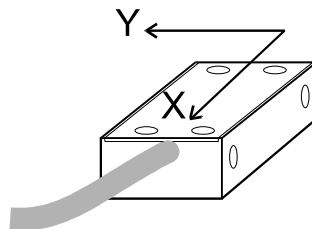
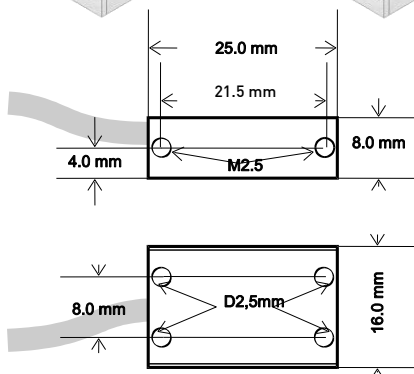
2 AXIS CAPACITIVE ACCELEROMETER

Ref: AC-CAP2-X#-X# SN: B#####

Texsys sensors are designed for data recording. If the user wants to include this sensor in a close loop system or active control, he must assume all responsibility.

Range	±5, ±10, ±15, ±20	G
Accuracy	1.5	%
Sensitivity	400 to 100 +/-8%	mV/G
Bandwidth 6dB (std)	DC to 100	Hz
Max Bandwidth on request	1	KHz
Supply Voltage	6 to 28	V
Supply Current	3	mA
Output Voltage	0 – 5	V
Output Impedance	47	Ω
Calibrator	LDS V406	
Error at 0G	+/- 0.1	V
Resonance	5000	Hz
Cross axis sensitivity	2,5	%
Offset Drift (20 to 80°C)	±20	mV
Gain Drift (20 to 80°C)	±1	%
Dim	25x16x8	mm
Material	Aluminium	
Weight	15	g
Protection	IP66	
Vibration test	20Gpp 5'	
Shock	1000	G
Operating Temp	-20 to +100	°C
Storage Temp	-40 to +125	°C

Examples of inertial units with Texense Gyros and Accelerometers



Sensor Readings		
	X	Y
Signal (V) @ -1G		
Signal (V) @ 0G		
Signal (V) @ +1G		
Sensitivity (mV/G)		
Cut off frequency (Hz) at _____ dB		
Cross axis (%)		

Cable : 4x26AWG FEP Tinned copper braided cable 250V 200°C

Length : _____ mm Tubing: _____

Connector : _____

Colour	Function	Pin
Red	Supply	
Black	0V	
White	Signal X	
Green	Signal Y	
Braid	Not connected	

Calibration table				
	5G 400 mV/G	10G 200 mV/G	15G 133mV/G	20G 100mV/G
-20				0.5
-15			0.5	1.0
-10		0.5	1,17	1.5
-5	0.5	1.5	1,83	2.0
0	2.5	2.5	2.5	2.5
+5	4.5	3.5	3,17	3.0
+10		4.5	3,83	3.5
+15			4.5	4.0
+20				4.5

Ordering ref ex: AC-CAP2-XB-YB

AC-CAP2-XRange-YRange

Range				
B	C	D	E	N
±5G	±10G	±15G	±20G	Not wired