



texense

world pro by TEXYS

VR-Ø9-B

SPEED SENSOR

Ref : VR-Ø9-B-RA

SN : V17020796

Texys sensors are designed for data recording. If the user wants to include this sensor in a close loop system or active control, he must assume all responsibility.

Max Frequency	20	KHz
Distance to target	0.5 to 3mm	mm
Supply Voltage	4 to 25V	V
Supply Current	15	mA
Output signal	NPN open collector	
Output resistance	Needs a Pull Up resistor	
Max Voltage on the output	25	V
LED indicator	Yes	
Orientation	<input type="checkbox"/> Straight <input checked="" type="checkbox"/> Right Angle	
Sensitive Element	Differential Hall Effect Sensor	
Fixing hole	Diam 4 at 12 from sensor axis	mm
Dimensions	25 x 9 x 9	mm
Material	Aluminum	
Weight (without cable)	15	G
Protection	IP66	
Vibration test	20 Gpp 5'	
Shock	500	G
Operating Temp	-50 to +150	°C
Storage Temp	-50 to +150	°C

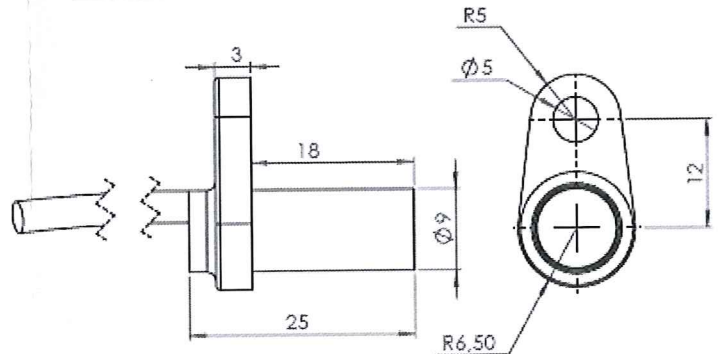
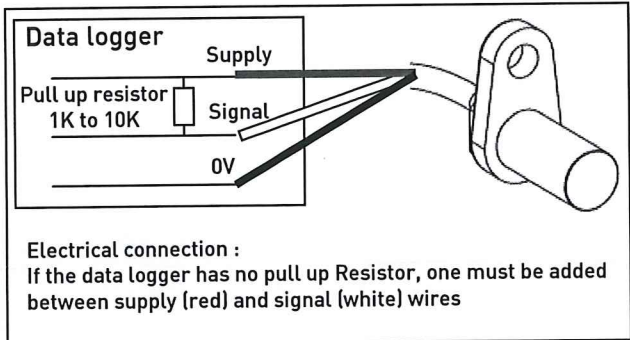
Cable :

- 3X26AWG FEP tinned copper braided cable 250V 200°C
- EPD 117723A

Length :1000 mm Tubing: /

Connector : /

Colour	Function	Pin
Red	Supply	
Black	0V	
White	Signal	
Braid (not for EPD 117723A)	Not connected	

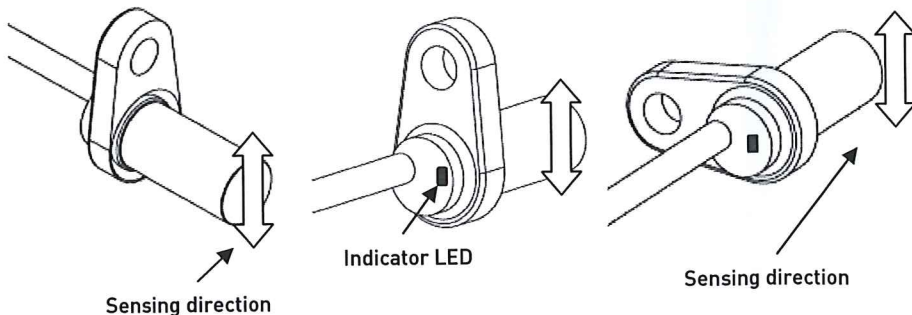


Ordering ref ex : VR-Ø9-B-RA
VR-Ø9-B-orientation

Parallel (P)
Right Angle (RA)

Parallel version

Right Angle version



Texys

8425 Woodfield Crossing
Boulevard Suite 100
Indianapolis IN 46240
(+1) 317-469-4828
16 Rue Edouard Branly
Varennes Vauzelles F58640
(+33) 386-212-718