

# THERMOCOUPLE AMPLIFIER

## K type\*

Aluminium housing

Patent US\_6,942,382

**Dimensions :** 33.5 x 19 x 10 mm

FR\_0209687

**Weight :** 15 g

Range Target (thermocouple end) reference	-50 to 200°C K THAK 200	-100 to 400 °C K THAK 400	0 to 1250°C K THAK 1250
<b>Supply</b>	5 to 16 Volts	5 to 16 Volts	5 to 16 Volts
<b>Output</b>	0 to 5 Volts	0 to 5 Volts	0 to 5 Volts
<b>Sensitivity</b>	20 mV / °C	10 mV / °C	4 mV/°C
<b>Signal @ 0°C</b>	1V	1V	0V
<b>Initial Accuracy:</b>	+/-1 °C	+/-1 °C	+/-2 °C
<b>Relative error (output/theoretical value) 1 (0 to 80°C amplifier temp.)</b>	+/- 0.5 %	+/- 0.5 %	+/-1 %

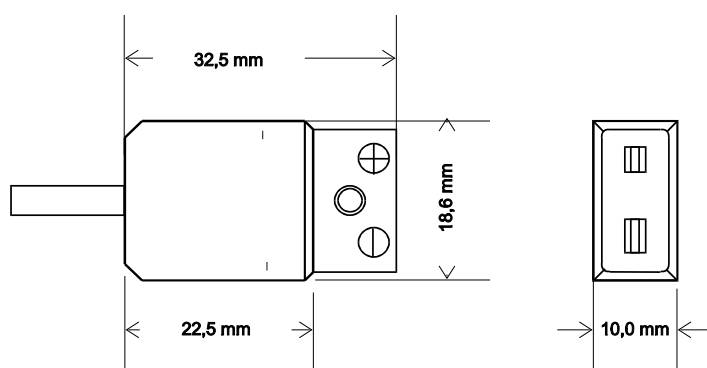
1 Due to linear amplification of thermocouple voltage (table available on texys.fr : tech support)

**Ambient (amplifier) Temperature :** 0 to 120°C

**Connection :** 1 metre of 3 x AWG 26 PTFE shielded cable (other length or wires on request)

Cable shield connected to case

**Std connections Red :** Supply (5 to 16 Volts) **White :** Output signal **Blue :** GND (0 Volt)



\* other types on request : T, J, R, ...