

VLP Series

Linear Position Transducers

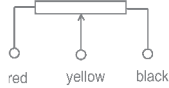
- Standard Mountings • High Linearity • Raychem Cable
- Long Life • Outstanding Repeatability
- Excellent Temperature Range • Elastomer Damped Wipers

VLP

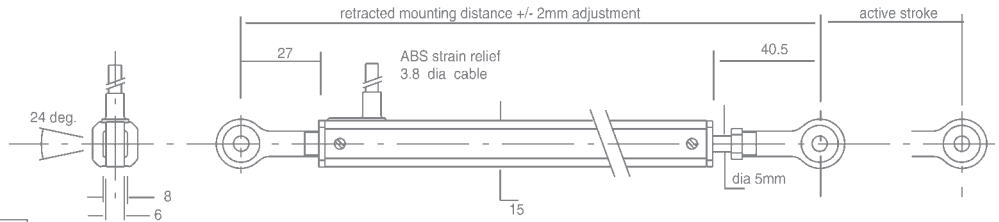
INDUSTRIAL



Retracted one end, extended other



spherical bearings alloy body
mounting holes dia 5.0 (+0.05/-0.00)



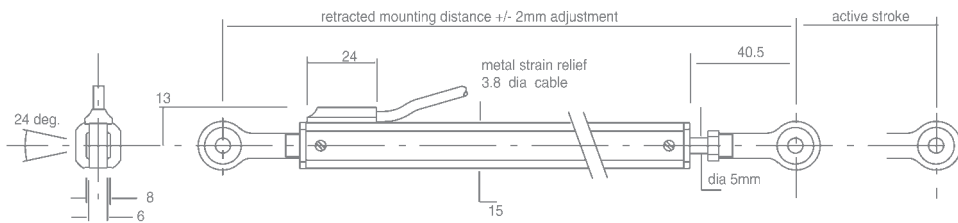
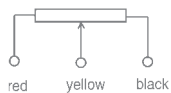
VLP	VLP25	VLP50	VLP75	VLP100	VLP150SE	VLP150	VLP200	VLP250	VLP290
Electrical Stroke	27mm	52mm	77mm	102mm	152mm	152mm	202mm	252mm	292mm
Retracted Mounted Distance +/-2mm	173mm	198mm	223mm	248mm	273mm	298mm	351mm	401mm	464mm
Nominal Resistance +/-20%	2.5K	5K	5K	5K	10K	10K	10K	10K	11.6K
Linearity	0.2%	0.2%	0.2%	0.1%	0.1%	0.1%	0.1%	0.1%	0.1%

Life Expectancy	> 25 Million Cycles
Operational Speed	10 m/s Max
Environmental Sealing	'O' ring and felt shaft seal
Temperature Range	-40 to +100°C
Cable Type	Raychem 55, 24 AWG
Cable Length	600mm (screened)
Repeatability	0.01mm
Maximum Supply Voltage	42VDC
Mechanical Stroke	+1.5mm of electrical stroke

VLPM

AUTOSPORTS

Retracted one end, extended other

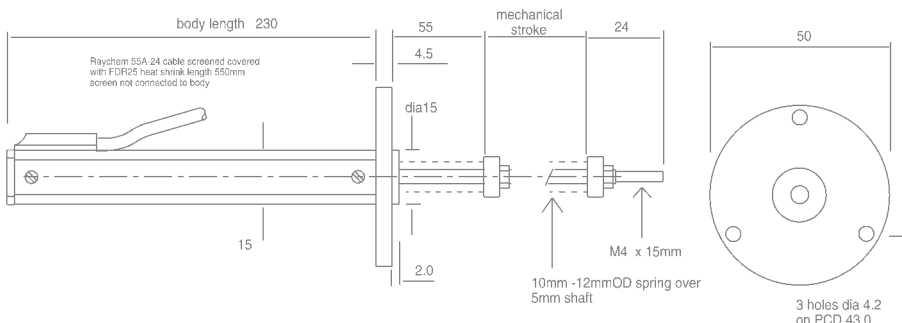


VLPM	VLPM25	VLPM50	VLPM75	VLPM100	VLPM150SE	VLPM150	VLPM200	VLPM250	VLPM290
Electrical Stroke	27mm	52mm	77mm	102mm	152mm	152mm	202mm	252mm	292mm
Retracted Mounted Distance +/-2mm	173mm	198mm	223mm	248mm	273mm	298mm	351mm	401mm	464mm
Nominal Resistance +/-20%	2.5K	5K	5K	5K	10K	10K	10K	10K	11.6K
Linearity	0.2%	0.2%	0.2%	0.1%	0.1%	0.1%	0.1%	0.1%	0.1%

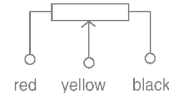
Life Expectancy	> 25 Million Cycles
Operational Speed	10 m/s Max
Environmental Sealing	'O' ring and felt shaft seal
Temperature Range	-40 to +125°C
Cable Type	Raychem 55, 24 AWG
Cable Length	600mm (screened)
Repeatability	0.01mm
Maximum Supply Voltage	42VDC
Mechanical Stroke	+1.5mm of electrical stroke

VLPSRF

SPRING RETURN



Retracted one end, extended other



SPRING EXTENSION →

VLPSRF	VLPSRF25	VLPSRF50	VLPSRF75	VLPSRF100	VLPSRF150SE	VLPSRF150
Electrical Stroke	27mm	52mm	77mm	102mm	152mm	152mm
Retracted Mounted Distance +/-2mm	173mm	198mm	223mm	248mm	273mm	298mm
Nominal Resistance +/-20%	2.5K	5K	5K	5K	10K	10K
Linearity	0.2%	0.2%	0.2%	0.1%	0.1%	0.1%

Life Expectancy	15 Million Cycles
Operational Speed	10 m/s Max
Environmental Sealing	'O' ring and felt shaft seal
Temperature Range	-40 to +100°C
Cable Type	Raychem 55, 24 AWG
Cable Length	600mm (screened)
Repeatability	0.01mm
Maximum Supply Voltage	42VDC
Mechanical Stroke	+1.5mm of electrical stroke

