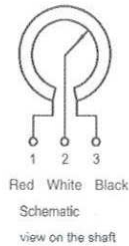
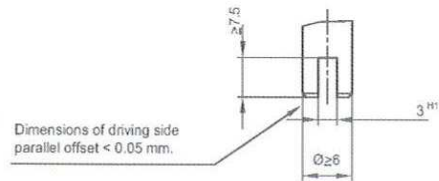
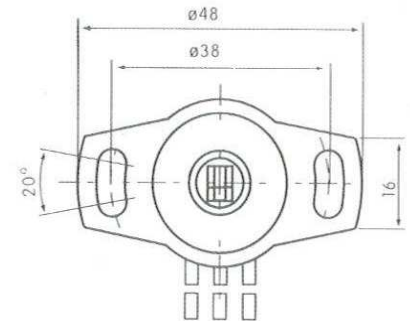
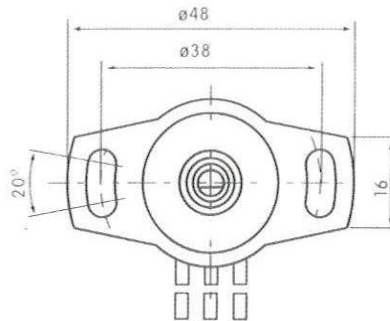
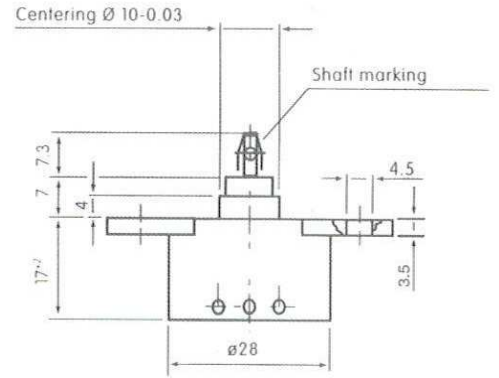
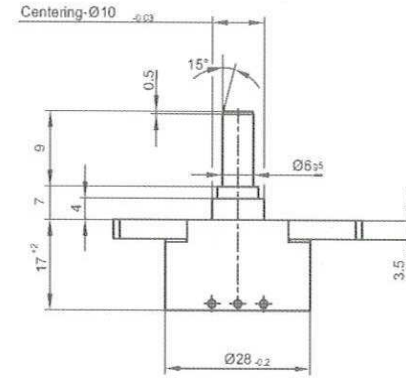
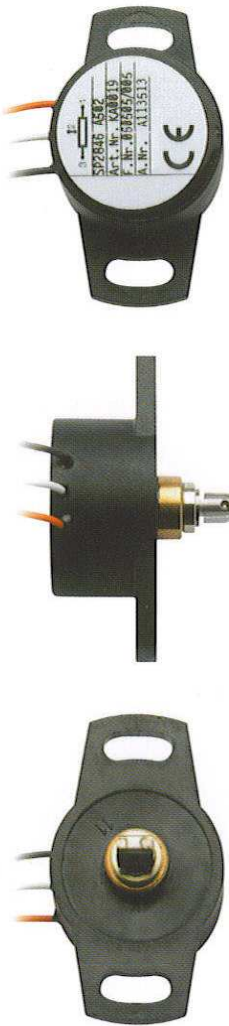


# SP - ROTARY POSITION SENSOR

- Simple Mounting • Excellent Linearity • Sealed to IP66/67 • Long Life
- Wide Temperature Range • Outstanding Repeatability • Elastomer Damped Wipers



## SP2800 Series

Part Number	Electrical Angle +/- 1°	Linearity +/-	Housing Material	Shaft Type	Nominal Resistance +/- 20%
SP2836s0002	100	1.0%	Celstran	6mm	3K
SP2836s0069	130	0.5%	Celstran	6mm	3K
SP2836a502	308	0.3%	Celstran	6mm	5K
SP2836s0065	345	0.3%	Celstran	6mm	5K
SP2846s0054	100	0.5%	Celstran	Push-on	3K
SP2846s0067	2 x 100	1.0%	Celstran	Push-on	2x3K
SP2846s0069	130	0.5%	Celstran	Push-on	3K
SP2846a502	308	0.3%	Celstran	Push-on	5K
SP2846s0065	345	0.3%	Celstran	Push-on	5K
SP2890s0054	100	0.5%	Aluminium	Push-on	3K
SP2890s0069	130	0.5%	Aluminium	Push-on	3K
SP2890s0065	345	0.3%	Aluminium	Push-on	5K

Life Expectancy	50 million cycles
Operational Speed	120 RPM
Environmental Sealing	IP65 (IP66/67 Option)
Temperature Range	-40°C to +150°C
Cable Type	Raychem SS, 22AWG
Cable Length	1000mm
Repeatability	0.01%
Maximum Supply Voltage	42VDC

# STRAIN RELIEVING BOOTS, SLEEVING & CONNECTORS

Variohm are able to offer a complete harnessing service, whether you require alternative cable lengths, additional sleeving or customer specified connector or boot.

